

# MO SERIES

ZWEIKANAL-OSZILLOSKOP

ANALOGUE OSCILLOSCOPE

**GEBRAUCHSANWEISUNG**

OPERATING INSTRUCTIONS

**digimess<sup>®</sup>**



Bestell-Nr.  
Order No.

MO10 HUC 70-01 MO20 HUC 70-02  
MO40 HUC 70-03 MO60 HUC 70-04

Subject to alterations, errors excepted

**©Copyright 2003**

Änderungen und Irrtümer vorbehalten.  
Nachdruck, auch auszugsweise, nur mit schriftlicher Genehmigung des Herstellers.  
Alle Rechte vorbehalten.

# MO Series Oscilloscopes

## Operating Instructions

### INDEX

- 1.0 Mains connection
- 1.1 Installing the oscilloscope
- 1.2 Switching on
- 1.3 EMC
- 1.4 Inspection and maintenance
- 1.5 Warranty
- 1.6 Description
- 2.0 MO10 specifications
- 3.0 MO20 specifications
- 4.0 MO40 specifications
- 5.0 MO60 specifications
- 6.0 Operating instructions and controls (all models)
  - 6.1 Control functions
  - 6.2 Operating instructions
- 7.0 Measurements and adjustments
  - 7.1 Adjustment before measurement
  - 7.2 Measurements

## 1.0 Mains Connection

The design of the unit meets the requirements of safety class I according to EN 61010-1, i.e. all metal parts accessible from outside and exposed to contact are connected with the protective conductor of the supply network. Power is supplied via a mains cable with an earthing contact

### 1.1 Installing the oscilloscope

The oscilloscope should not be operated close to equipment that develops heat. To protect the oscilloscope from thermal overload the air vents must not be covered and a free space of about 10 cm should be ensured.

### 1.2 Switching on

The oscilloscope is switched on using the power switch at the front. The power switch separates the unit completely from the primary side of the transformer.

### 1.3 EMC

The oscilloscope is interference-free according to EN 50081-1 and EN 50081-2. In order to fulfil the limit values in line with present standards, it is absolutely necessary that only cables which are in perfect condition be connected to the unit.

### 1.4 Inspection and Maintenance

If service is needed, due attention should be paid to the regulations according to VDE 0701. The oscilloscope should only be repaired by trained personnel.

### 1.5 Warranty

The perfect working order of the oscilloscope is guaranteed for 12 months as from delivery.

There is no warranty for faults arising from improper operation or from changes made to the oscilloscope or from inappropriate application.

If a fault occurs please contact or send your oscilloscope to:

Agents details :
------------------

The oscilloscope should be sent in appropriate packing - if possible in the original packing. Please enclose a detailed fault report (functions working incorrectly, deviating specifications and so on) including unit type and serial number.

Would you also kindly verify warranty cases by enclosing your supply delivery note. Any repairs carried out without reference to a valid warranty will initially be at the owner's expense.

Should the warranty have expired, we will, of course, be glad to repair your oscilloscope as per our General Terms Of Assembly And Service.

## 1.6 Description

The *digimess*<sup>®</sup> MO series is a comprehensive range of general purpose analogue oscilloscopes including single and dual channel models. All types feature 8 x 10 screens, X-Y modes and built in probe calibration signals. Triggering modes are Auto, Norm and TV, with the 40MHz and 60MHz versions also including PP Auto triggering for automatic triggering without the need for level adjustment. Signal delay lines and Z modulation inputs are provided as standard on the 20MHz, 40MHz and 60MHz models and all units include X1/X10 probes.

## 2.0 MO10 SPECIFICATIONS

### 2.1 VERTICAL SYSTEM

Sensitivity	5mV/DIV. ~5V/DIV $\pm 3\%$
Trimming Ratio	2.5:1
Rise Time	$\leq 35\text{ns}$
Bandwidth(-3dB)	DC:0~10MHz AC:10Hz~10MHz
Input Impedance	1M $\Omega$ $\pm 3\%$ , 30 pF $\pm 5\text{pF}$
Max. Input Voltage	400V pk

### 2.2 TRIGGER SYSTEM

Trigger Sensitivity	Int 1 div., Ext 0.3V
Ext. Trigger Input Impedance	1M $\Omega$ 30pF
Ext. Trigger Max. Input Voltage	400Vpk
Trigger Sources	Int, Line, Ext
Trigger Mode	Norm, AUTO, TV

### 2.3 HORIZONTAL SYSTEM

Sweep Time	0.1S / DIV $\sim 0.1\mu\text{S}$ / DIV $\pm 3\%$
Trimming Ratio	2.5:1

### 2.4 X-Y MODE

Sensitivity	0.2V/DIV~0.5V/DIV
Bandwidth(-3dB)	DC: 0~1MHz AC: 10Hz~1MHz

### 2.5 CALIBRATION SIGNAL

Waveform	Symmetric Square Wave
Amplitude	05.V $\pm 2\%$
Frequency	1kHz $\pm 2\%$

### 2.6 CRT

Display Area	8 $\times$ 10DIV 1DIV=6mm
Accelerating Voltage	1200V
Display Color	Green

### 2.7 POWER SOURCE

Voltage Range	110V / 220Vac $\pm 10\%$
Fuse ratng	110V L2A 250V / 220V L750mA 250V
Frequency	60Hz $\pm 2\text{Hz}$
Power Consumption	25W

## 2.8 PHYSICAL FEATURES

Weight	3kg
Dimensions (H x W x D)	190 × 130 × 270mm

## 2.9 WORKING ENVIRONMENT

Working temperature	5°C ~ 40°C
Storage Environment	-30°C ~ 60°C, 10~80%RH
Working Altitude	≤2000m

## 2.10 PRESSURE-PROOF TEST

Pressure-proof test	1500V 1min
---------------------	------------

## 3.0 MO20 SPECIFICATIONS

### 3.1 VERTICAL SYSTEM

Sensitivity	5mV/DIV. ~5V/DIV ±3%
Trimming Ratio	2.5:1
Rise Time	≤17.5ns
Bandwidth(-3dB)	DC:0~20MHz
Input Impedance	1MΩ ±3%, 25 pF ±5pF (direct) 10MΩ ±5%, 16 pF ±2pF (10:1 probe)
Max. Input Voltage	400V (DC + AC peak)
Operation Mode	CH1, CH2, ALT, CHOP, ADD

### 3.2 TRIGGER SYSTEM

Trigger Sensitivity	Internal : DC~20MHz 1.5DIV TV signal 2.0DIV External :DC~20MHz 0.5DIV TV signal 0.5DIV
Auto Min. Frequency	20Hz
Ext. Trigger Input Impedance	1MΩ 25pF
Ext. Trigger Max. Input Voltage	160V (DC+AC peak)
Trigger Sources	Int.(CH1, Vert Mode, CH2, Line), Ext.
Trigger Mode	Norm, Auto, TV, p-p Auto

### 3.3 HORIZONTAL SYSTEM

Sweep Speed	0.5s / DIV ~0.2μs / DIV in 1-2-5 sequence in 20 steps. x10 (to max.): 20nS/DIV
Accuracy	x1: ±3%; x10 : ±8%
Variable range	2.5:1

### 3.4 X-Y MODE

Sensitivity	Same as the vertical system
Accuracy	±5%
Bandwidth(-3dB)	DC: 0~1MHz AC: 10Hz~1MHz
X-Y phase difference	≤ 3°C (DC ~ 50KHz)

### 3.5 Z AXIS SYSTEM

Sensitivity	5V
-------------	----

Input Slope	Low Electrical Level Intensification
Frequency range	DC 0~1MHz
Input Impedance	10K $\Omega$
Max. Input Voltage	50V (DC + AC peak)

### 3.6 CALIBRATION SIGNAL

Waveform	Symmetric Square Wave
Amplitude	05.V $\pm$ 2%
Frequency	1KHz $\pm$ 2%

### 3.7 CRT

Display Area	8 $\times$ 10DIV 1DIV=10mm
Accelerating Voltage	2KV
Display Color	Green

### 3.8 POWER SOURCE

Voltage Range	110V $\pm$ 10% / 220V $\pm$ 10%
Fuse rating	110V L2A 250V / 220V L1A 250V
Frequency	60Hz $\pm$ 2Hz / 50 Hz $\pm$ 2Hz
Power Consumption	40W

### 3.9 PHYSICAL FEATURES

Weight	6.5kgs
Dimensions (W x H x D)	310 $\times$ 130 $\times$ 418 mm

### 3.10 WORKING ENVIRONMENT

Working temperature	5 $^{\circ}$ C ~ 40 $^{\circ}$ C
Storage Environment	-30 $^{\circ}$ C ~60 $^{\circ}$ C, 10~80%RH
Working Altitude	$\leq$ 2000m

## 4.0 MO40 SPECIFICATIONS

### 4.1 VERTICAL SYSTEM

Sensitivity & accuracy	5mV/DIV. ~5V/DIV $\pm$ 3%
Trimming Ratio	2.5:1
Rise Time	$\leq$ 8.75ns
Bandwidth(-3dB)	DC:0~40MHz AC:10Hz~40MHz
Input Impedance	1M $\Omega$ $\pm$ 3%, 25 pF $\pm$ 5pF (direct) 10M $\Omega$ $\pm$ 5%,10 pF $\pm$ 2pF (10:1 probe)
Max. Input Voltage	400V (DC + AC peak)
Vertical Mode	CH1, CH2, ALT, CHOP, ADD

### 4.2 TRIGGER SYSTEM

Trigger Sensitivity	Int 1.5 DIV., Ext 0.5V (NORM, AUTO) Int. 2DIV, Ext 0.5V (TV, p-p Auto)
Auto Min. Frequency	20Hz
Ext. Trigger Input Impedance	1M $\Omega$ 20pF
Ext. Trigger Max. Input Voltage	160V (DC+AC peak)
Trigger Sources	Int(CH1, Vert Mode, CH2), Line, Ext
Trigger Mode	Norm, Auto, TV, p-p Auto

### 4.3 HORIZONTAL SYSTEM

Sweep rate	0.5s / DIV ~0.2 $\mu$ s / DIV in 1-2-5 sequence 20 steps. x10 (to max.) 20ns/DIV $\pm$ 3%
Accuracy	x1: $\pm$ 3%; x10 : $\pm$ 8%
Trimming Ratio	2.5:1

### 4.4 X-Y MODE

Sensitivity	Same as the vertical system
Accuracy	$\pm$ 5%
Bandwidth(-3dB)	DC: 0~1MHz AC: 10Hz~1MHz
X-Y phase difference	$\leq$ 3° (DC ~ 50KHz)

### 4.5 Z AXIS SYSTEM

Sensitivity	5V
Input Polarity	Low Electrical Level Intensification
Frequency range	DC 0~1MHz
Input Impedance	10K $\Omega$
Max. Input Voltage	50V (DC + AC peak)

### 4.6 CALIBRATION SIGNAL

Waveform	Symmetric Square Wave
Range	05.V $\pm$ 2%
Frequency	1kHz $\pm$ 2%

### 4.7 CRT

Display Area	8 $\times$ 10DIV 1DIV=10mm
Accelerating Voltage	12kV
Display Color	Green

### 4.8 POWER SOURCE

Voltage Range	110V $\pm$ 10%
Fuse rating	110V T2A 250V / 220V T1A 250V
Frequency	60Hz $\pm$ 2Hz
Power Consumption	40W

### 4.9 PHYSICAL FEATURES

Weight	6.5kgs
Dimensions (W x H x D)	310 $\times$ 130 $\times$ 418 mm

### 4.10 WORKING ENVIRONMENT

Working temperature	5°C ~ 40°C
Storage Environment	-30°C ~ 60°C, 10~80% RH
Working Altitude	$\leq$ 2000m

## 5.0 MO60 SPECIFICATIONS

### 5.1 VERTICAL SYSTEM

Sensitivity & accuracy	5mV/DIV. ~5V/DIV $\pm$ 3%
Trimming Ratio	2.5:1
Rise Time	$\leq$ 5.8ns
Bandwidth(-3dB)	DC:0~60MHz AC:10Hz~60MHz



Input Impedance	1M $\Omega$ $\pm$ 3%, 25 pF $\pm$ 5pF (direct) 10M $\Omega$ $\pm$ 5%, 10 pF $\pm$ 2pF (10:1 probe)
Max. Input Voltage	400V (DC + AC peak)
Vertical Mode	CH1, CH2, ALT, CHOP, ADD

## 5.2 TRIGGER SYSTEM

Trigger Sensitivity	Int 1.5 DIV., Ext 0.5V (NORM, AUTO) Int. 2DIV, Ext 0.5V (TV, p-p Auto)
Auto Min. Frequency	20Hz
Ext. Trigger Input Impedance	1M $\Omega$ 20pF
Ext. Trigger Max. Input Voltage	160V (DC+AC peak)
Trigger Sources	Int(CH1, Vert Mode, CH2), Line, Ext
Trigger Mode	Norm, Auto, TV, p-p Auto

## 5.3 HORIZONTAL SYSTEM

Sweep rate	0.2s / DIV $\sim$ 0.1 $\mu$ s / DIV in 1-2-5 sequence 20 steps. x10 (to max.) 10ns/DIV $\pm$ 3%
Accuracy	x1: $\pm$ 3%; x10 : $\pm$ 8%
Trimming Ratio	2.5:1

## 5.4 X-Y MODE

Sensitivity	Same as the vertical system
Accuracy	$\pm$ 5%
Bandwidth(-3dB)	DC: 0~1MHz AC: 10Hz~1MHz
X-Y phase difference	$\leq$ 3 $^{\circ}$ (DC $\sim$ 50KHz)

## 5.5 Z AXIS SYSTEM

Sensitivity	5V
Input Polarity	Low Electrical Level Intensification
Frequency range	DC 0~1MHz
Input Impedance	10K $\Omega$
Max. Input Voltage	50V (DC + AC peak)

## 5.6 CALIBRATION SIGNAL

Waveform	Symmetric Square Wave
Range	05.V $\pm$ 2%
Frequency	1kHz $\pm$ 2%

## 5.7 CRT

Display Area	8 $\times$ 10DIV 1DIV=10mm
Accelerating Voltage	12kV
Display Color	Green

## 5.8 POWER SOURCE

Voltage Range	110V $\pm$ 10%/220V $\pm$ 10%
Fuse rating	110V T2A 250V / 220V T1A 250V
Frequency	60Hz $\pm$ 2Hz
Power Consumption	40W

## 5.9 PHYSICAL FEATURES

Weight	6.5kgs
Dimensions (W $\times$ H $\times$ D)	310 $\times$ 130 $\times$ 418 mm

## 5.10 WORKING ENVIRONMENT

Working temperature	5°C ~ 40°C
Storage Environment	-30°C ~60°C, 10~80% RH
Working Altitude	≤2000m

## 6.0 OPERATING INSTRUCTIONS AND CONTROLS (ALL MODELS)

### 6.1 CONTROL FUNCTIONS

Note : not all controls are fitted to all models

NO.	COMPONENTS	FUNCTIONS
1	INTENSITY	Controls the brightness of the display
2	ASTIG	Used with Focus to adjust for a clear trace
3	FOCUS	Adjust for a clear trace
4	ROTATION	Rotates the trace for parallel alignment
5	CALIBRATION	Provides a symmetrical square wave for 0.5V range, 1KHz frequency. Used for adjusting 10:1 probe's compensation for capacitance and checking for the sensitivity of vertical & horizontal system.
6	POWER INDICATOR	Lights when power is on
7	POWER	Power On/Off
8	CH1 (POSITION) PULL CH1-X, CH2-Y	Adjusts the vertical position of the trace from Channel 1. Used as X-Y display.
9	CH2 (POSITION) PULL INVERT	Adjusts the vertical position of the trace from Channel 2. Showing CH1+CH2 or CH1-CH2 in use with ADD
10	VERT MODE	CH1 or CH2 : single display of CH1 or CH2 ALT : alternating display of 2 signals CHOP : 2 channels' signals shown. Used to display dual trace at slow sweep rate. ADD : gives the algebraic sum of the 2 trace.
11	CH1 VOLTS/DIV	Adjusts sensitivity of the Vertical system
12	CH2 VOLTS/DIV	Adjusts sensitivity of the Vertical system
13	CH1 VARIABLE	Used to continuously adjust sensitivity of the vertical system, turn fully clockwise to obtain the calibration position.
14	CH2 VARIABLE	Used to continuously adjust sensitivity of the vertical system, turn fully clockwise to obtain the calibration position.
15	CH1 AC-DC-GND	Selects coupling options for the input signals
16	CH2 AC-DC-GND	Selects coupling options for the input signals
17	CH1 OR X	Input terminal of CH1
18	CH2 OR Y	Input terminal of CH2
19	GND	Equipment ground terminal
20	EXT INPUT	External Trigger input terminal
21	INT TRIG SOURCE	Selects CH1, CH2 or ALT
22	TRIG SOURCE	Selects trigger sources as INT, EXT, or LINE
23	SLOPE	Selects positive-going or negative-going direction of triggering signals.
24	LEVEL	Adjusts the signal trigger level
25	VARIABLE	Used to continuously adjust the sweep rate, turn fully clockwise to obtain the calibration position.
26	TIME/DIV	Adjusts the sweep rate

27	TRIG MODE	NORM : no trace on screen if there is no input signal. A trace is generated only when an adequate trigger signal is present and is controlled using trigger Level to achieve a stable waveform. AUTO : a single trace shown on screen even if there is no input signal. A trace is generated when an adequate trigger signal is present and is controlled using trigger Level to achieve a stable waveform TV : used to display TV signals P-P AUTO : no trace on screen if there is no input signal. A stable waveform is achieved without adjusting the trigger Level provided a trigger signal is received.
28	TRIG'D	Lights when trigger conditions are achieved
29	POSITION (HOR.) PULL X 10	Adjusts the horizontal trace on the screen. Pull, the sweep rate is magnified by 10 times
30	Z INPUT	External Intensity modulation signal input terminal
31	POWER INPUT CONNECTOR & FUSE	Power input connector (refer to the specification in para 2.0 to 5.0 or the units rear panel for correct voltage and fuse)

## 6.2 OPERATING INSTRUCTIONS

Note : not all controls are fitted to all models

### 6.2.1 MAINS INPUT VOLTAGE CHECKING

The mains input connector is located on the rear of the unit. Before connecting to the mains supply the user should verify that the unit is set to the correct voltage for the country of use.

### 6.2.2 BASIC OPERATION

#### (1) POSITION OF CONTROL AND SWITCHES

CONTROL SWITCHES	POSITION
INTENSITY	Center
FOCUS	Center
CH1, CH2, X	Center
MODE	CH1
VOLTS/DIV	10mV
VARIABLE	Calibration position
TRIGGER Mode	p-p AUTO
Sweep rate SEC/DIV	0.5mS
SLOPE	+
TRIGGER SOURCE	INT
INT TRIGGER SOURCE	CH1
OUTPUT COUPLING	AC

#### (2) PRE-SET OPERATION

- a. Power on
- b. Power on led lights
- c. Allow the unit to warm-up for about 5 minutes until a trace is shown on the screen, then adjust the Intensity, Focus, Astig and Rotation to produce a clear and parallel trace.  
Connect the 10:1 probe to the input terminal of CH1

### 6.2.3 VERTICAL SYSTEM OPERATION

#### (1) Selection of Vertical Mode

If there is only one signal to be tested, turn "MODE" to "CH1" or "CH2". The selected mode will allow the tested signal to come in from that channel.

If 2 signals are to be observed simultaneously, turn "MODE" to "ALT". This will show alternately the 2 tested signals. The frequency of the alternating display of the 2 signals is controlled by the sweep rate. If the sweep rate is too low and the trace flashes, turn the switch to "CHOP" to obtain a normal trace.

When the VERT MODE switch is set to "ADD", the algebraic sum of CH1 & CH2 is displayed as a single trace. The slope of the 2 signals should be observed. CH2 when normal gives CH1+CH2, Pull CH2 INVERT will result in CH1-CH2.

#### (2) Input Coupling Selection

"DC" coupling – used to observe the DC component of signals such as logical & static signals.

"DC" must also be used for low frequency.

"AC" is used for observing the AC component of signals.

"GND" used to establish a trace at the zero volt reference.

### 6.2.4 TRIGGER SOURCE SELECTION

#### (1) Selection of Trigger Sources

LINE – 60Hz signal is the trigger source

EXT – determined by the external source as connected to the input terminal

INT – controlled by the internal trigger sources switch.

#### (2) Internal Trigger Sources

CH1 – Trigger source from Channel 1

CH2 – Trigger source from Channel 2

Vert Mode – Trigger source controlled by the vertical system switch.

If the Vert Mode switch is set to CH1, trigger source is from Channel 1; If the Vert mode switch is set to CH2, trigger source is from Channel 2. If the Vert Mode is set to "ALT", Trigger source will alternately change from Channel 1 & Channel 2. The frequency of the 2 signals must be similar and the Vertical input coupling should be set to "AC". With the Trigger Mode set to "AUTO" or "NORM" and the Vert. Mode switch set to "CHOP" & "ADD", the internal trigger source selection should be set to "CH1" or "CH2".

### 6.2.5 HORIZONTAL SYSTEM OPERATION

#### (1) Sweep setup

There are 20 sweep rate settings from 0.1 $\mu$ S/DIV~0.2S/DIV. The Variable control provides at least adjustment of 2.5 times. Select the appropriate range according to the tested signal's frequency. Turn the variable control fully clockwise to the calibration position. Use the reading on the control and the distance between the waveform and the horizontal axis to determine the tested signal's time reference. If a certain portion of the waveform needs to be observed, simply apply the horizontal 10 times magnification. The original waveform will be magnified by 10 times above the horizontal axis.

#### (2) Selection of Trigger Mode

NORM – no trace on screen if there is no input signal ; when a signal is present, adjust the trigger level to its correct position. Use this mode when the Frequency is less than 20Hz

AUTO – there is a trace on screen even if there s no input signal ; when a signal is present, adjust the trigger level to its correct position. Use this mode when the Frequency is higher than 20Hz.

TV – Used to determine TV signal. The signal is negative in nature. If the tested

signal is positive, connect the signal to CH2 and pull CH2 INVERT, this changes the signal to negative before taking measurements.

P-P AUTO - Same as AUTO, but there is no need to adjust the trigger Level.

Usually used in Sine wave, symmetric square wave or similar pulse wave. In some

Cases with signals of high frequency it may be necessary to adjust the trigger Level. Trigger sensitivity

is slightly lower than NORM or AUTO.

### (3) SLOPE Selection

Used to select whether the trigger signal crosses trigger level in a positive-going or a negative-going direction.

### (4) LEVEL setup

Used to adjust the signal trigger level and when triggered the "TRIG'D" lights.

## 6.2.6 PROBES

### (1) Probe operation :

To minimize the probe's affect on the tested signal, it is advisable to use 10:1 probe which has an input impedance of  $10M\Omega$  16 pF. While 1:1 probe is usually used to observe small signals and has an input impedance is  $1M\Omega$  70 pF. Thus, during the measurement, consideration should be taken upon the effect of the probe on the tested circuit and the accuracy of measurement.

To obtain high accuracy of measurement, connection of probes to the tested circuit should be of the shortest distance. In the case of low frequency and measurement accuracy not highly required, connect the tested circuit directly to the front panel's GND would allow for testing convenience.

### (2) Adjustment of PROBE

Before

using , 10:1 probe must be adjusted & compensated correctly, see para 7.1.2

## 7.0 MEASUREMENTS & ADJUSTMENT

### 7.1 ADJUSTMENT BEFORE MEASUREMENT

In order to achieve greater accuracy and prevent errors, the following adjustments should be carried out before taking measurements.

#### 7.1.1 TRACE ROTATION

Generally, the horizontal trace on the screen should be parallel with the horizontal line, but due to the earth's magnetic field and other factors which cause horizontal trace movement it is advisable to examine the following conditions before measurement:

(1) Adjust control switches on the front panel to achieve a horizontal trace on the screen

(2) Adjust vertical position to align the trace in the centre of the screen.

(3) Check that the trace is parallel and if not use a screw driver to adjust the "ROTATION" control on the front panel for MO20, MO40 & MO60 or on the rear panel for MO10.

#### 7.1.2 PROBE COMPENSATION

Adjustment of the probe is necessary to compensate for the different input characteristics of oscilloscopes:

(1) Follow step 6.2.2, setup front panel controls to get a sweep baseline.

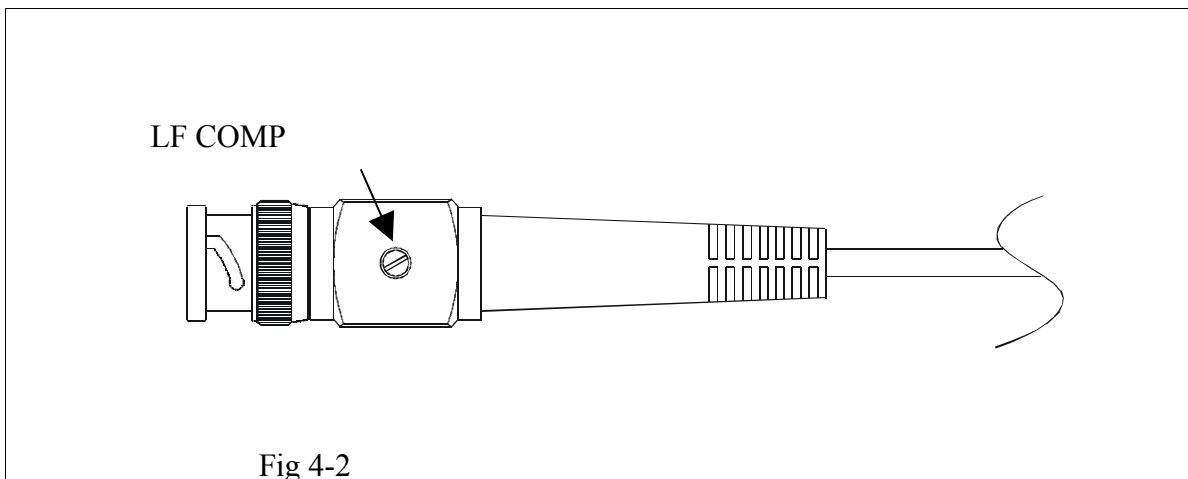
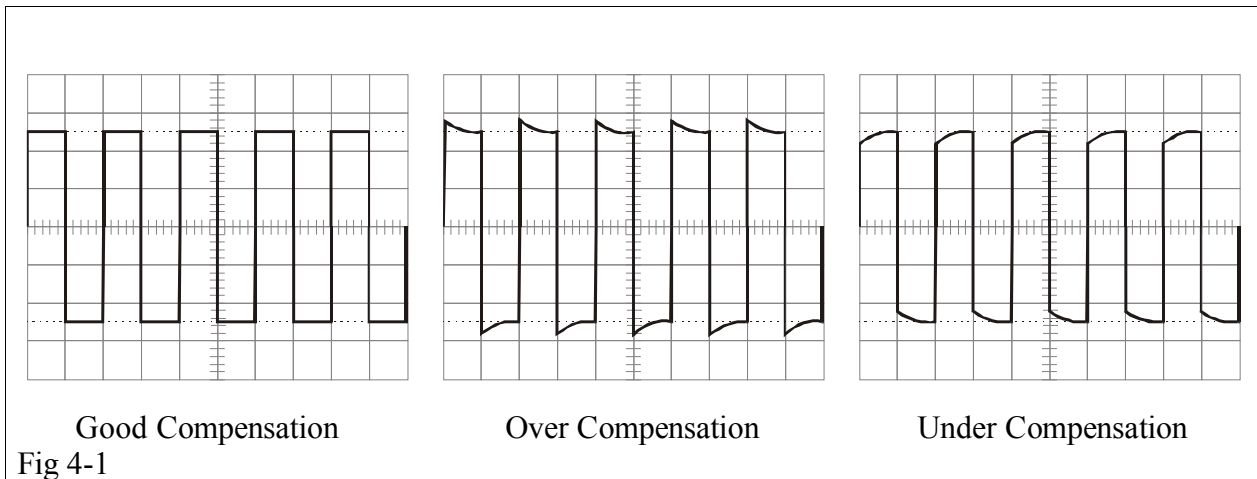
(2) Set VOLTS/DIV to 10mV/DIV. range.

(3) Connect the 10:1 probe to the CH1 input and "CAL".

(4) Follow Section 6 contents to set the controls to give a waveform on the screen as figure 4.1

(5) Observe whether the waveform compensation is good, if not adjust the LF compensation components as shown in figure 4.2

(6) Set Vert Mode to “CH2”, follow steps 2 to 5 to adjust the CH2 probe.



## 7.2 MEASUREMENTS

### 7.2.1 P-P Voltage measurement

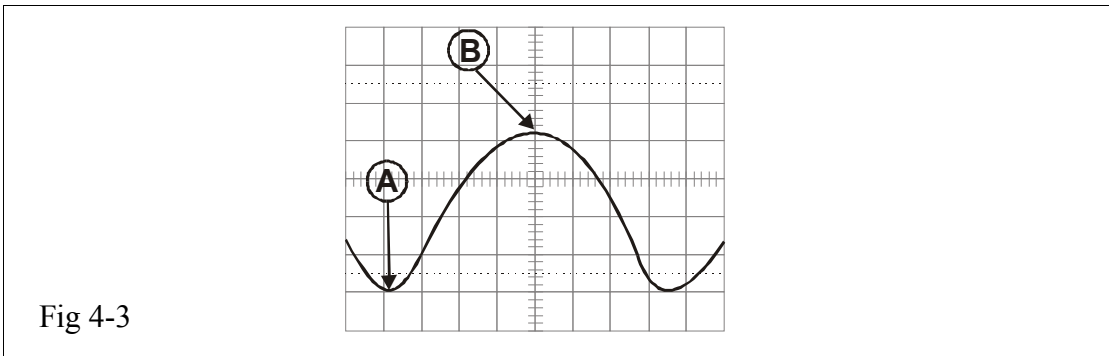
STEPS :

- (1) Input signal to CH1 or CH2 terminal, set the Vert Mode to the selected channel.
- (2) Setup Voltage attenuator (VOLTS/DIV) and observe waveform, let waveform show on the screen within about 5 divisions, and turn VAR clockwise up to the end (calibration position).
- (3) Adjust level to make waveform stable (if p-p AUTO, no need to adjust Level).
- (4) Adjust sweep controls to show at least one cycle waveform on the screen.
- (5) Adjust vertical position to make the bottom of waveform show on a horizontal axis on the screen. Fig 4-3A.
- (6) Adjust horizontal position to make the top of waveform show on the vertical axis of screen central. Fig 4-3B.
- (7) Read the divisions between A-B on vertical direction.
- (8) Calculate the signal  $V_{p-p}$  using the formula below :

$$V_{p-p} = \text{DIV of vertical direction} \times \text{Sensitivity}$$

For example, In Fig 4-3, vertical divisions of A-B is 4.1 DIV, sensitivity for the 10:1 probe is

2V/DIV, then  $V_{p-p}=2 \times 4.1=8.2(V)$



### 7.2.2 DC VOLTAGE MEASUREMENT

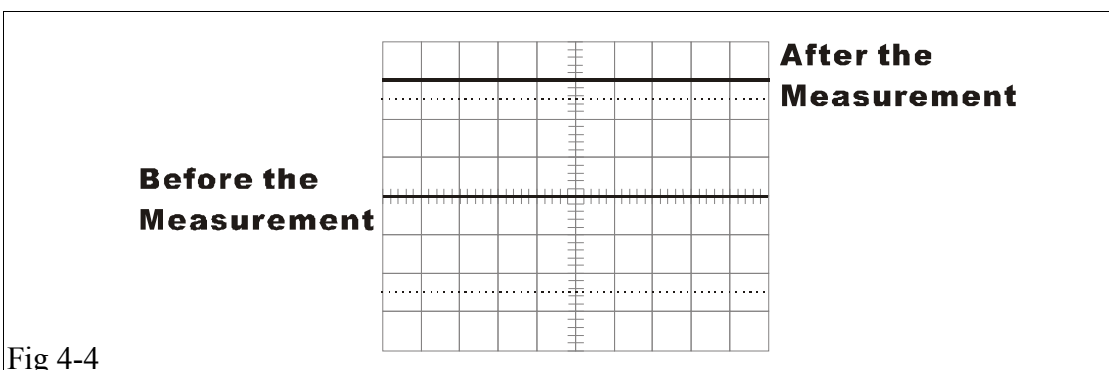
STEPS :

- (1) Setup front panel controls to show a sweep baseline on the screen.
- (2) Setup input coupling options as “GND”, refer to fig 4-4 before measurement.
- (3) Adjust the Vertical Position, let sweep baseline coincide with horizontal center, define it as zero reference level.
- (4) Input signal into the selected channel.
- (5) Set input coupling to “DC”, adjust VOLTS/DIV, let waveform show in a proper position on the screen, turn VAR clockwise to the end (calibration position).
- (6) Read the divisions between the zero reference level to the wave form by the tested object, refer to fig 4-4 after measurement.
- (7) Calculate the AC voltage:

$$V = \text{divisions on vertical axis} \times \text{sensitivity} \times \text{direction}(+/-)$$

Shown in Figure 4-4, zero reference level at the center, use 10:1 probe, sensitivity is 2V/Div, tested wave is 3 div. over the zero reference level.

$$\text{Therefore, } v = 2 \times 3 \times (+) = +6(V)$$



### 7.2.3. Amplitude Comparison

There are some cases where two signals amplitude difference need to be measured.

STEPS :

- (1) Let the reference signal be connected to CH1 or CH2 input terminal. Set Vert Mode as the se-

lected channel.

- (2) Adjust VOLT/DIV and VAR to obtain the display within 5 divisions on the screen.
- (3) Maintain the position of VOLT/DIV and VAR, change the probe from the reference signal to the signal to be compared. Adjust Vert position, let the bottom of waveform touch the 0% ref line.
- (4) Adjust horizontal Position, let the peak of the waveform touch the vertical line as shown at the center of the screen.
- (5) Base on the 0% and 100% standard, read from the vertical axis the percentage.  
(1 DIV = 4%) e.g. in fig 4.5, dotted waveform is the reference waveform, amplitude is 5Div. The other waveform is the waveform under compared, vert range is 2 div. which implies that the signal's amplitude is about 40% of the reference signal.

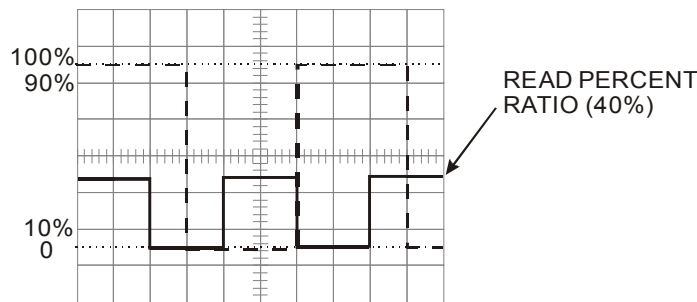


Fig 4-5

#### 7.2.4 ADD

The summation or difference of 2 signals could be measured by the following steps :

- (1) Set Vert Mode at “ALT” or “CHOP” according to the frequency of the signals. Don't pull CH2 INVERT which means CH2 is positive.
- (2) Connect the 2 signals to CH1 and CH2 input terminals.
- (3) Adjust VOLT/DIV let the 2 signals showing waveform at proper range. Adjust vertical position, let the 2 waveforms shown at the center of the screen.
- (4) Set vert mode to “ADD”, algebraic summation of 2 signals will be shown immediately. If the difference need to be known, pull CH2 INVERT. Fig 4-6 shows the sum and difference of 2 signals.

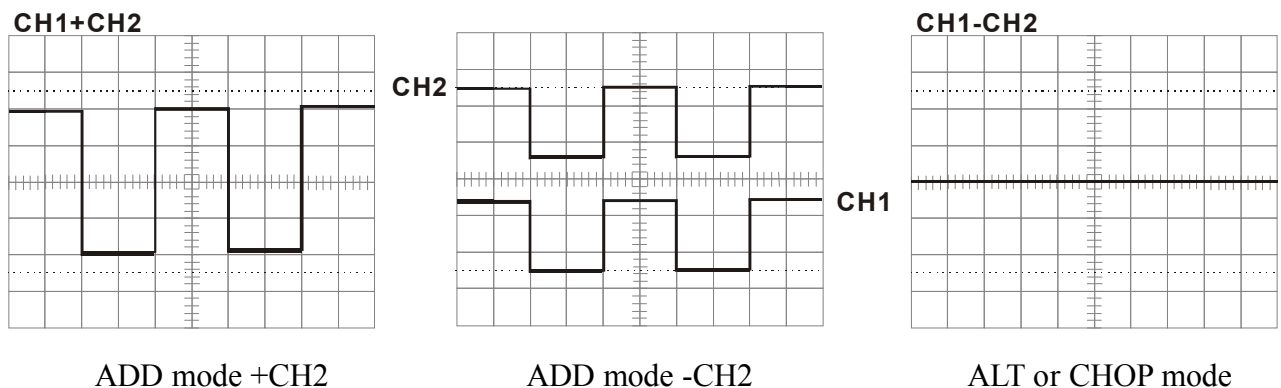


Fig 4-6

### 7.3 TIME MEASUREMENTS

#### 7.3.1 TIME SPACE MEASUREMENT

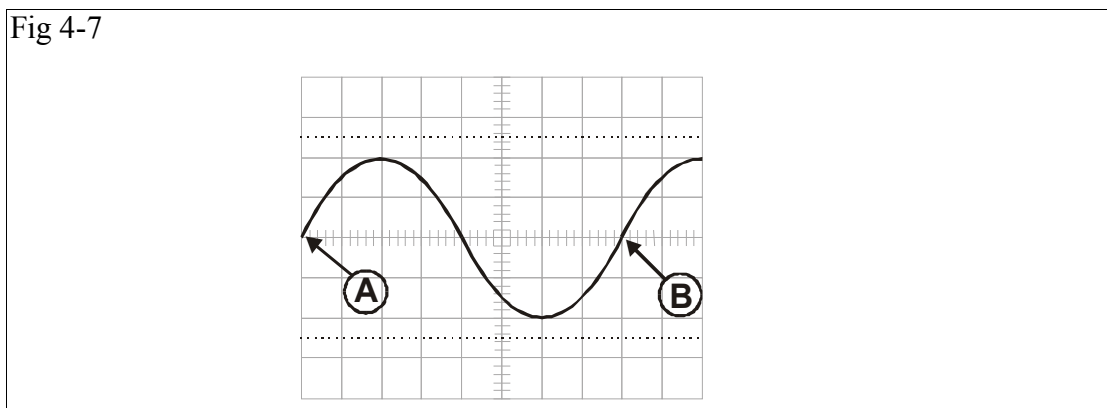


This is the procedure for making time (period) measurements between two points on a waveform:

- (1) Connect the signal to be measured to CH1 or CH2, set vert mode as the selected channel.
- (2) Adjust level to show steady waveform. (if p-p AUTO, no need to adjust Level)
- (3) Turn VAR clockwise to the end (calibration position), and adjust sweep controls to obtain a normal display of 1-2 signal cycles.
- (4) Using the vertical and horizontal positions, set two points to be measured in the waveform on the same horizontal level.
- (5) Measure the distance between the two points, the measurement is calculated by the following equation:

$$\text{TIME (S)} = \frac{\text{Distance between 2 points (DIV)} \times \text{rate of sweep (Time/Div)}}{\text{Horizontal factor}}$$

Shown in figure 4-7, distance between A & B is 8 Div. sensitivity is 2  $\mu\text{S/Div}$ , Horizontal factor x 1, then Time measurement is 16 $\mu\text{S}$



### 7.3.2 CYCLE & FREQUENCY MEASUREMENTS

Refer to Fig 4-7, you can measure the time period of one cycle of waveform (T) and calculating the frequency which is the reciprocal of the time period. For example, T=16 $\mu\text{S}$ , then frequency is:

$$F = 1/T = \frac{1}{16 \times 10^{-6}} = 62.5 \text{ KHz}$$

### 7.3.3 PULSE RISE TIME AND FALL TIME MEASUREMENTS

For rise time and fall time measurements, the 10% and 90% amplitude points are used as the starting and ending reference points.

- (1) Set the vert. Mode as CH1 or CH2, connect the signal to the selected input terminal.
- (2) Use the VOLTS/DIV and VAR controls to adjust the waveform for showing peak to peak height up to five divisions.
- (3) Adjust vertical position so that the tops of the waveform coincide with 100% point, while the bottoms of the waveform coincide with 0% point.
- (4) Adjust Sweep switch to obtain the positive-going direction or negative-going direction of the waveform on the screen.
- (5) Use the horizontal POSITION control to adjust the 10% points to coincide with a vertical reference line.

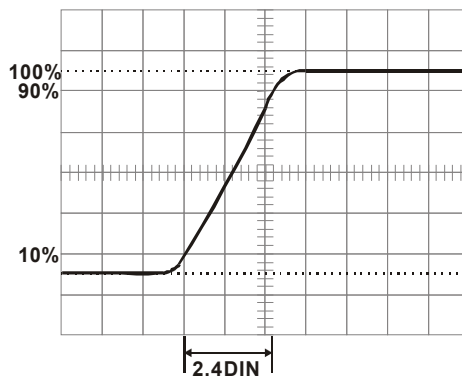
- (6) Measure the horizontal distance in divisions between the 10% and 90% points on the waveform (divisions). If the waveform's rising and falling points are moving fast, use the horizontal magnification x 10, let the waveform shown on the screen magnify by 10 times.
- (7) Pulse rise time and fall time measurement is calculated by the following equation:

$$\text{Rise Time} = \frac{\text{Horizontal distance (div)} \times \text{sensitivity (Time/div)}}{\text{Horizontal factor}}$$

For the example shown in Fig.4-8, the horizontal distance from 10% to 90% is 2.2 divisions, the sweep TIME/DIV setting is 1μS/DIV, factor x 10. The rise time is calculated as follows:

$$\text{Rise Time} = \frac{1\mu\text{S/DIV} \times 2.2\text{DIV}}{10} = 0.22\mu\text{S}$$

Fig. 4-8



### 7.3.4 TIME DIFFERENCE MEASUREMENT

STEPS :

- (1) Apply the 2 signals (one as the reference and the other one as the signal to be compared) to the CH1 and CH2 input jacks.
- (2) Set the vert mode to "CHOP" or "ALT" according to the frequency. CHOP is usually chosen for low frequency and ALT for high frequency signals.
- (3) Set the reference signal as the Trigger Source.
- (4) Adjust VOLT/DIV and VAR controls to obtain an adequate range in display.
- (5) Adjust Level to show stable waveform
- (6) Adjust SEC/DIV, this is to allow some horizontal distance for better observation between the 2 points to be tested.
- (7) Adjust Vertical Position, let the 2 observation points of the 2 waveforms shown at the center of the screen.

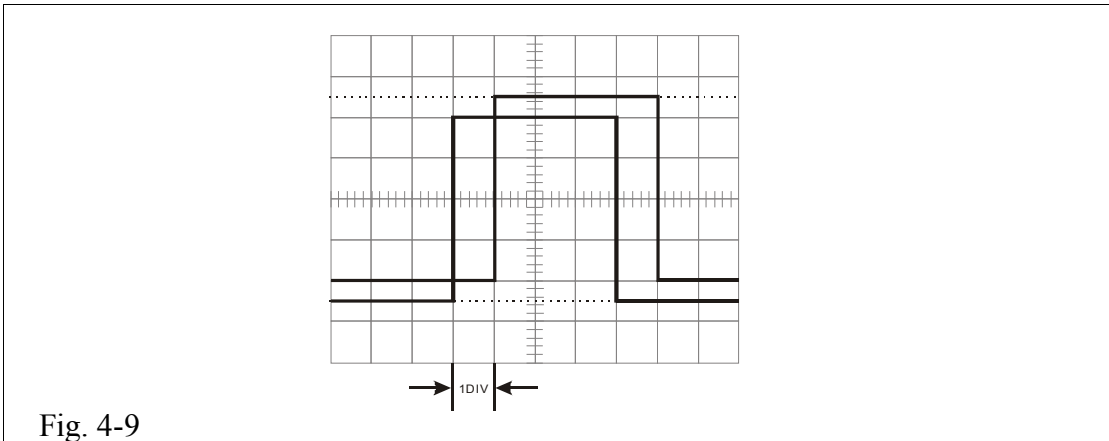
The measurement is summarized by the following equation :

$$\text{Time Difference} = \frac{\text{Horizontal Div} \times \text{TIME/DIV}}{\text{Horizontal Factor}}$$

e.g. in Fig. 4-9, Sweep sensitivity factor at 10μS/DIV, horizontal factor x1, horizontal distance between the tested 2 points is 1 div. therefore the time difference is :

$$10\mu\text{S/DIV} \times 1 \text{ DIV}$$

$$\text{Time Difference} = \frac{\text{-----}}{1} = 10\mu\text{S}$$



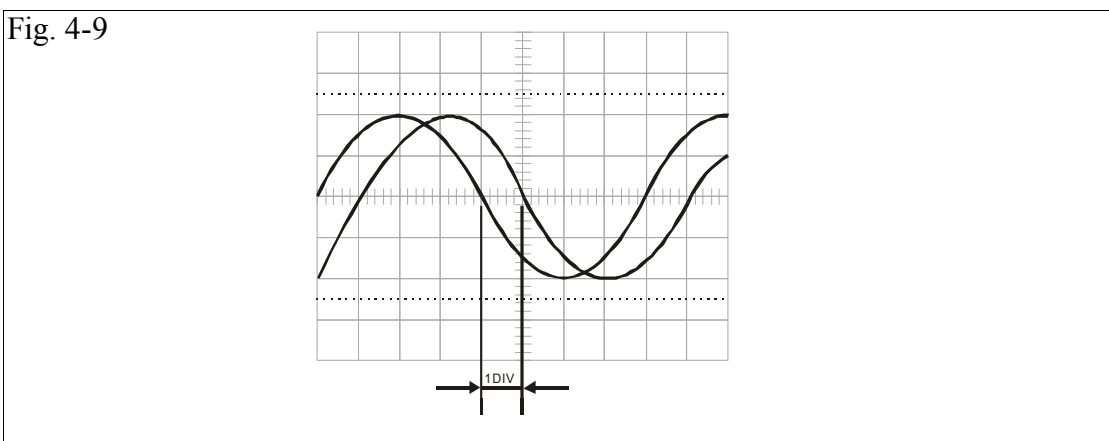
### 7.3.5 PHASE DIFFERENCE MEASUREMENT

#### STEPS :

- (1) Following the steps of (1) to (4) under Time Difference Measurement for initial control settings.
- (2) Adjust VOLT/DIV and VAR control switch, let the 2 waveforms display the same range.
- (3) Adjust Sweep rate switch for one cycle of the waveform to be shown in 9 divisions. Thus, on the horizontal screen  $1\text{DIV} = 40^\circ(360^\circ \div 9)$ .
- (4) Measure the horizontal distance between the 2 waveform on the same level.
- (5) Use the following formula to calculate the Phase Difference :

$$\text{Phase Difference} = \text{Hor. Distance (Div)} \times 40^\circ/\text{DIV}$$

e.g. in fig 4-10, the distance between the 2 waveform on the same level is 1 div. therefore, Phase Difference =  $40^\circ/\text{DIV} \times 1 \text{ Div} = 40^\circ$



### 7.4 TV Signals measurement

#### STEPS :

- (1) Set Vert Mode to "CH1" or "CH2", Connect TV signals to the selected channel
- (2) Set Trigger method to "TV" [10], Sweep switch turn to 2mS/Div.
- (3) Observe the screen, it should be a negative pulse signal. If its not a negative signal, change the signal to "CH2" channel. Pull CH2 INVERT, this will change the input signal to negative signal.
- (4) Adjust VOLTS/DIV and VAR to obtain the correct range.

(5) Horizontal magnification of x 10 could be used to observe the signal if necessary.

### **7.5 X- Y mode applications**

There are some cases which X axis requires control from external signals, e.g. external connection of sweep signals, signals of Lissajous pattern or other equipment's display setup. X-Y mode operation, pull CH1 POSITION (PULL CH1-X). Input X signals through CH1 or X, sensitivity to be read directly from CH1 channel's VOLT/DIV switch.

### **7.6 Z Axis Application**

The Z axis terminal on the rear of the unit allows adjustment of the intensity using an external signal. The characteristics are positive level for improved stability and negative level for increased intensity of the waveform. If used together with X-Y mode, the upright control of 3 directions, X, Y, Z could be used for displaying icons or characters.

# Oszilloskope der Serie MO

## Bedienungsanweisung

### INHALT

- 1.0 Netzanschluss
  - 1.1 Installation des Oszilloskops
  - 1.2 Einschalten
  - 1.3 Elektromagnetische Verträglichkeit
  - 1.4 Inspektion und Instandhaltung
  - 1.5 Garantie
  - 1.6 Beschreibung
- 2.0 Spezifikationen für das Modell MO10
- 3.0 Spezifikationen für das Modell MO20
- 4.0 Spezifikationen für das Modell MO40
- 5.0 Spezifikationen für das Modell MO60
- 6.0 Bedienungsanweisung und Kontrolleinrichtungen (alle Modelle)
  - 6.1 Kontrollfunktionen
  - 6.2 Bedienungsanweisung
- 7.0 Messungen und Einstellungen
  - 7.1 Nachstellungen vor dem Messen
  - 7.2 Messungen

## 1.0 Netzanschluss

Das Design des Geräts erfüllt die Forderungen der Sicherheitsklasse I gemäß EN 61010-1, d.h. alle Metallteile die von außen zugänglich sind und berührt werden können, sind an den Schutzleiter des Versorgungsnetzes angeschlossen. Die Stromzufuhr erfolgt über ein Netzkabel mit einem Schutzkontakt.

### 1.1 Installation des Oszilloskops

Das Oszilloskop sollte nicht in Nähe von wärmeerzeugenden Einrichtungen betrieben werden. Zum Schutz des Oszilloskops vor Wärmeüberlastung dürfen die Entlüftungsschlitze nicht verdeckt sein und ein Spielraum von ca. 10 cm sollte gewährleistet sein.

### 1.2 Einschalten

Das Oszilloskop wird mit dem Stromschalter vorne am Gerät eingeschaltet. Der Stromschalter trennt die Einheit völlig von der Primärseite des Transformators.

### 1.3 Elektromagnetische Verträglichkeit

Das Oszilloskop ist gemäß EN 50081-1 und EN 50081-2 störfrei. Zur Erfüllung der Grenzwerte entsprechend der gegenwärtigen Normen ist es unerlässlich, dass nur Kabel in perfektem Zustand an die Einheit angeschlossen werden.

### 1.4 Inspektion und Instandhaltung

Bei Instandhaltungsarbeiten sollten die Vorschriften gemäß VDE 0701 beachtet werden. Das Oszilloskop darf nur von fachlich ausgebildetem Personal repariert werden.

### 1.5 Garantie

Der perfekte Arbeitszustand des Oszilloskops wird für 12 Monate ab Lieferung garantiert.

Diese Garantie erstreckt sich nicht auf Mängel infolge unsachgemäßer Operation oder am Oszilloskop vorgenommenen Änderungen oder unsachgemäßer Anwendung.

Bei Auftreten eines Fehlers senden Sie das Oszilloskop bitte an:

Händlerdetails :

Das Oszilloskop sollte entsprechend verpackt - wenn möglich, in der Originalverpackung - versandt werden. Bitte legen Sie einen detaillierter Fehlerbericht (inkorrekt arbeitende Funktionen, Spezifikationsabweichungen usw.) sowie Gerätetyp und Seriennummer bei.

Wir bitten zudem um eine Bestätigung des Garantieanspruchs durch Beilage Ihres Lieferscheins. Alle Reparaturen, die ohne Bezug auf eine gültige Garantie vorgenommen werden, erfolgen zunächst zu Kosten des Besitzers.

Sollte Ihre Garantie abgelaufen sein, dann sind wir selbstverständlich gerne bereit, das Gerät gemäß unserer allgemeinen Kundendienstbedingungen zu reparieren.

## 1.6 Beschreibung

Die Serie *digimess*<sup>®</sup>-MO umfasst ein umfangreiches Angebot an analogen Allgemeinweck-Oszilloskopen, einschließlich von Einzel- und Zweikanal-Modellen. Alle Modelle haben einen 8 x 10 Bildschirm, X-Y-Modi und eingebaute Sensorkalibrationssignale. Triggering-Modi sind Auto, Norm und TV, wobei die 40MHz- und 60MHz-Versionen zudem auch PP-Auto-Triggering für automatisches Triggering haben, ohne dass die Stufe nachgestellt werden muss. Signalverzögerungsleitungen und Z-Modulationen sind bei den Modellen 20MHz, 40MHz und 60MHz ebenfalls als Standard vorhanden, und alle Geräte haben X1/X10-Sensoren.

## 2.0 SPEZIFIKATIONEN FÜR DAS MODELL MO10

### 2.1 VERTIKALES SYSTEM

Ansprechempfindlichkeit	5mV/DIV. ~5V/DIV $\pm 3\%$
Feinabgleichsverhältnis	2,5:1
Ansteuerungszeit	$\leq 35\text{ns}$
Bandbreite (-3dB)	GS:0~10MHz WS:10Hz~10MHz
Eingangsimpedanz	1M $\Omega$ $\pm 3\%$ , 30 pF $\pm 5\text{pF}$
Max. Eingangsspannung	400V pk

### 2.2 TRIGGERSYSTEM

Triggeransprechempfindlichkeit	Int 1 div., Ext 0.3V
Ext. Triggereingangsimpedanz	1M $\Omega$ 30pF
Ext. Trigger Max. Eingangsspannung	400Vpk
Triggerquellen	Int, Leitung, Ext
Triggermodus	Norm, AUTO, TV

### 2.3 HORIZONTALES SYSTEM

Abtastzeit	0,1S / DIV $\sim 0.1\mu\text{S}$ / DIV $\pm 3\%$
Feinabgleichsverhältnis	2,5:1

### 2.4 X-Y-MODUS

Ansprechempfindlichkeit	0,2V/DIV~0.5V/DIV
Bandbreite(-3dB)	GS: 0~1MHz WS: 10Hz~1MHz

### 2.5 KALIBRATIONSSIGNAL

Wellenform	Symmetrische Rechteckwelle
Amplitude	05.V $\pm 2\%$
Frequenz	1kHz $\pm 2\%$

### 2.6 KATHODENSTRAHLRÖHRE

Displaybereich	8 $\times$ 10DIV 1DIV= 6 mm
Beschleunigungsspannung	1200V
Displayfarbe	Grün

### 2.7 STROMQUELLE

Spannungsbereich	110V / 220Vac $\pm 10\%$
Bemessungsstrom	110V L2A 250V / 220V L750mA 250V
Frequenz	60Hz $\pm 2\text{Hz}$
Stromverbrauch	25W

## 2.8 PHYSIKALISCHE MERKMALE

Gewichts	3 kg
Ausmaße (H x B x T)	190 × 130 × 270 mm

## 2.9 ARBEITSBEREICH

Arbeitstemperatur	5°C ~ 40°C
Lagerung	-30°C ~ 60°C, 10~80% RF
Arbeitshöhe	≤ 2000 m

## 2.10 DRUCKBESTÄNDIGKEITSTEST

Druckbeständigkeitstest	1500V 1 min
-------------------------	-------------

## 3.0 SPEZIFIKATIONEN FÜR DAS MODELL MO20

### 3.1 VERTIKALES SYSTEM

Ansprechempfindlichkeit	5mV/DIV. ~5V/DIV ±3%
Feinabgleichsverhältnis	2,5:1
Ansteuerungszeit	≤ 17.5ns
Bandbreite(-3dB)	GS:0~20MHz
Eingangsimpedanz	1MΩ ±3%, 25 pF ± 5pF (direkt) 10MΩ ±5%, 16 pF ± 2pF (10:1 Sensor)
Max. Eingangsspannung	400V (GS + WS Spitze)
Betriebsmodus	CH1, CH2, ALT, CHOP, ADD

### 3.2 TRIGGERSYSTEM

Triggeransprechempfindlichkeit	Intern : GS~20MHz 1,5DIV TV-Signal 2,0DIV Extern : GS~20MHz 0,5DIV TV-Signal 0,5DIV
Auto Min.-Frequenz	20Hz
Ext. Triggereingangsimpedanz	1MΩ 25pF
Ext. Trigger Max. Eingangsspannung	160V (GS + WS Spitze)
Triggerquellen	Int.(CH1, Vert Modus, CH2, Leitung), Ext.
Triggermodus	Norm, Auto, TV, p-p Auto

### 3.3 HORIZONTALES SYSTEM

Abtastgeschwindigkeit	0,5s / DIV ~0.2µs / DIV in 1-2-5 Sequenz in 20 Schritten. x10 (bis max.): 20nS/DIV
Genauigkeit	x1: ±3%; x10 : ± 8%
Variabler Bereich	2,5:1

### 3.4 X-Y-MODUS

Ansprechempfindlichkeit	Wie für vertikales System
Genauigkeit	±5%
Bandbreite (-3dB)	GS: 0~1MHz WS: 10Hz~1MHz
X-Y-Phasenunterschied	≤ 3°C (GS ~ 50KHz)

### 3.5 Z-ACHSENSYSTEM

Ansprechempfindlichkeit	5V
-------------------------	----



Eingangsanstieg	Niedrige Stromintensifikation
Frequenzbereich	GS 0~1MHz
Eingangsimpedanz	10K $\Omega$
Max. Eingangsspannung	50V (GS + WS Spitze)

### 3.6 KALIBRATIONSSIGNAL

Wellenform	Symmetrische Rechteckwelle
Amplitude	05.V $\pm$ 2%
Frequenz	1KHz $\pm$ 2%

### 3.7 KATHODENSTRAHLRÖHRE

Displaybereich	8 $\times$ 10DIV 1DIV=10 mm
Beschleunigungsspannung	2KV
Displayfarbe	Grün

### 3.8 STROMQUELLE

Spannungsbereich	110V $\pm$ 10% / 220V $\pm$ 10%
Bemessungsstrom	110V L2A 250V / 220V L1A 250V
Frequenz	60Hz $\pm$ 2Hz / 50 Hz $\pm$ 2Hz
Stromverbrauch	40W

### 3.9 PHYSIKALISCHE MERKMALE

Gewicht	6,5 kg
Ausmaße (B x H x T)	310 $\times$ 130 $\times$ 418 mm

### 3.10 ARBEITSBEREICH

Arbeitstemperatur	5°C ~ 40°C
Lagerung	-30°C ~60°C, 10~80% RF
Arbeitshöhe	$\leq$ 2000 m

## 4.0 SPEZIFIKATIONEN FÜR DAS MODELL MO40

### 4.1 VERTIKALES SYSTEM

Ansprechempfindlichkeit & Genauigkeit	5mV/DIV. ~5V/DIV $\pm$ 3%
Feinabgleichsverhältnis	2,5:1
Ansteuerungszeit	$\leq$ 8.75ns
Bandbreite (-3dB)	WS:0~40MHz GS:10Hz~40MHz
Eingangsimpedanz	1M $\Omega$ $\pm$ 3%, 25 pF $\pm$ 5pF (direkt) 10M $\Omega$ $\pm$ 5%, 10 pF $\pm$ 2pF (10:1 Sensor)
Max. Eingangsspannung	400V (GS + WS Spitze)
Vertikaler Modus	CH1, CH2, ALT, CHOP, ADD

### 4.2 TRIGGERSYSTEM

Triggeransprechempfindlichkeit	Int 1.5 DIV., Ext 0.5V (NORM, AUTO) Int. 2DIV, Ext 0.5V (TV, p-p Auto)
Auto Min.-Frequenz	20Hz
Ext. Triggereingangsimpedanz	1M $\Omega$ 20pF
Ext. Trigger Max. Eingangsspannung	160V (GS +WS Spitze)

Triggerquellen	Int(CH1, Vert Modus, CH2), Leitung, Ext
Triggermodus	Norm, Auto, TV, p-p Auto

#### 4.3 HORIZONTALES SYSTEM

Abtastrate	0.5s / DIV ~0.2 $\mu$ s / DIV in 1-2-5 Sequenz 20 Schritte. x10 (bis max.) 20ns/DIV $\pm$ 3%
Genauigkeit	x1: $\pm$ 3%; x10 : $\pm$ 8%
Feinabgleichsverhältnis	2,5:1

#### 4.4 X-Y-MODUS

Ansprechempfindlichkeit	Wie das vertikale System
Genauigkeit	$\pm$ 5%
Bandbreite (-3dB)	GS: 0~1MHz WS: 10Hz~1MHz
X-Y-Phasenunterschied	$\leq$ 3° (GS ~ 50KHz)

#### 4.5 Z-ACHSENSYSTEM

Ansprechempfindlichkeit	5V
Eingangspolarität	Niedrige Stromintensifikation
Frequenzbereich	GS 0~1MHz
Eingangsimpedanz	10K $\Omega$
Max. Eingangsspannung	50V (GS + WS Spitze)

#### 4.6 KALIBRATIONSSIGNAL

Wellenform	Symmetrische Rechteckwelle
Bereiche	05.V $\pm$ 2%
Frequenz	1kHz $\pm$ 2%

#### 4.7 KATHODENSTRAHLRÖHRE

Displaybereich	8 $\times$ 10DIV 1DIV=10 mm
Beschleunigungsspannung	12kV
Displayfarbe	Grün

#### 4.8 STROMQUELLE

Spannungsbereich	110V $\pm$ 10%
Bemessungsstrom	110V T2A 250V / 220V T1A 250V
Frequenz	60Hz $\pm$ 2Hz
Stromverbrauch	40W

#### 4.9 PHYSIKALISCHE MERKMALE

Gewicht	6,5 kg
Ausmaße (B x H x T)	310 $\times$ 130 $\times$ 418 mm

#### 4.10 ARBEITSBEREICH

Arbeitstemperatur	5°C ~ 40°C
Lagerung	-30°C ~60°C, 10~80% RF
Arbeitshöhe	$\leq$ 2000 m

### 5.0 SPEZIFIKATIONEN FÜR DAS MODELL MO60

### 5.1 VERTIKALES SYSTEM

Ansprechempfindlichkeit & Genauigkeit	5mV/DIV. ~5V/DIV $\pm$ 3%
Feinabgleichsverhältnis	2,5:1
Ansteuerungszeit	$\leq$ 5.8ns
Bandbreite (-3dB)	GS:0~60MHz WS:10Hz~60MHz
Eingangsimpedanz	1M $\Omega$ $\pm$ 3%, 25 pF $\pm$ 5pF (direkt) 10M $\Omega$ $\pm$ 5%,10 pF $\pm$ 2pF (10:1 Sensor)
Max. Eingangsspannung	400V (GS + WS Spitze)
Vertikaler Modus	CH1, CH2, ALT, CHOP, ADD

### 5.2 TRIGGERSYSTEM

Triggeransprechempfindlichkeit	Int 1.5 DIV., Ext 0.5V (NORM, AUTO) Int. 2DIV, Ext 0.5V (TV, p-p Auto)
Auto Min.-Frequenz	20Hz
Ext. Triggereingangsimpedanz	1M $\Omega$ 20pF
Ext. Trigger Max. Eingangsspannung	160V (GS + WS Spitze)
Triggerquellen	Int(CH1, Vert Modus, CH2), Leitung, Ext
Triggermodus	Norm, Auto, TV, p-p Auto

### 5.3 HORIZONTALES SYSTEM

Abtastrate	0.2s / DIV ~0.1 $\mu$ s / DIV in 1-2-5 Sequenz 20 Schritte. x10 (bis max.) 10ns/DIV $\pm$ 3%
Genauigkeit	x1: $\pm$ 3%; x10 : $\pm$ 8%
Feinabgleichsverhältnis	2,5:1

### 5.4 X-Y-MODUS

Ansprechempfindlichkeit	Wie beim vertikalen System
Genauigkeit	$\pm$ 5%
Bandbreite (-3dB)	GS: 0~1MHz WS: 10Hz~1MHz
X-Y-Phasenunterschied	$\leq$ 3° (GS ~ 50KHz)

### 5.5 Z -ACHSENSYSTEM

Ansprechempfindlichkeit	5V
Eingangspolarität	Niedrige Stromintensifikation
Frequenzbereich	GS 0~1MHz
Eingangsimpedanz	10K $\Omega$
Max. Eingangsspannung	50V (GS + WS Spitze)

### 5.6 KALIBRATIONSSIGNAL

Wellenform	Symmetrische Rechteckwelle
Bereich	05.V $\pm$ 2%
Frequenz	1kHz $\pm$ 2%

### 5.7 KATHODENSTRAHLRÖHRE

Displaybereich	8 $\times$ 10DIV 1DIV=10 mm
Beschleunigungsspannung	12kV
Displayfarbe	Grün

### 5.8 STROMQUELLE

Spannungsbereich	110V $\pm$ 10%/220V $\pm$ 10%
Bemessungsstrom	110V T2A 250V / 220V T1A 250V

Frequenz	60Hz ± 2Hz
Stromverbrauch	40W

## 5.9 PHYSIKALISCHE MERKMALE

Gewicht	6,5 kg
Ausmaße (B × H × T)	310 × 130 × 418 mm

## 5.10 ARBEITSBEREICH

Arbeitstemperatur	5°C ~ 40°C
Lagerung	-30°C ~ 60°C, 10~80% RF
Arbeitshöhe	≤ 2000 m

## 6.0 BEDIENUNGSANWEISUNG UND KONTROLLEINRICHTUNGEN (ALLE MODELLE)

### 6.1 KONTROLLFUNKTIONEN

Hinweis: Nicht alle Kontrolleinrichtungen sind an allen Modellen vorhanden

NR.	BAUTEILE	FUNKTIONEN
1	INTENSITY (INTENSITÄT)	Kontrolliert die Displayhelligkeit
2	ASTIG	Wird zusammen mit 'Focus' zur Einstellung auf eine klare Aufzeichnung verwendet
3	FOCUS (FOKUS)	Einstellung für klare Aufzeichnung
4	ROTATION	Rotiert die Aufzeichnung für parallele Ausrichtung
5	CALIBRATION (KALIBRATION)	Liefert eine symmetrische Rechteckwelle für den 0,5V Bereich, 1KHz Frequenz. Wird zur Nachstellung der 10:1 Sensorkompensation für Kapazität und Prüfung der Ansprechempfindlichkeit des vertikalen und horizontalen Systems verwendet.
6	POWER INDICATOR (STROMANZEIGE)	Leuchtet, wenn der Strom eingeschaltet ist.
7	POWER (STROM)	Strom ein/aus
8	CH1 (POSITION) PULL (ZUG) CH1-X, CH2-Y	Einstellung der vertikalen Position der Aufzeichnung von Kanal 1. Wird als X-Y-Display verwendet.
9	CH2 (POSITION) PULL INVERT (ZUG-INV.)	Einstellung der vertikalen Position von Kanal 2. Zeigt CH1+CH2 oder CH1-CH2 mit ADD in Gebrauch
10	VERT MODE (VERT. MODUS)	CH1 oder CH2 : Einzeldisplay von CH1 oder CH2 ALT : abwechselndes Display von 2 Signalen CHOP : Signale von 2 Kanälen angezeigt. Wird zum Display von zweifacher Aufzeichnung bei langsamer Abtastrate verwendet ADD : liefert die algebraische Summe der 2. Aufzeichnung
11	CH1 VOLTS/DIV	Einstellung der Ansprechempfindlichkeit des vertikalen Systems
12	CH2 VOLTS/DIV	Einstellung der Ansprechempfindlichkeit des vertikalen Systems
13	CH1 VARIABLE	Wird zur fortlaufenden Einstellung der Ansprechempfindlichkeit des vertikalen System verwendet, zur Erhaltung der Kalibrationsposition ganz im Uhrzeigersinn drehen.

14	CH2 VARIABLE	Wird zur fortlaufenden Einstellung der Ansprechempfindlichkeit des vertikalen System verwendet, zur Erhaltung der Kalibrationsposition ganz im Uhrzeigersinn drehen.
15	CH1 AC-DC-GND	Wählt die Kopplungsoptionen für die Eingangssignale
16	CH2 AC-DC-GND	Wählt die Kopplungsoptionen für die Eingangssignale
17	CH1 ODER X	Eingangsanschluss für CH1
18	CH2 ODER Y	Eingangsanschluss für CH2
19	GND (ERDE)	Erdanschluss des Geräts
20	EXT INPUT (EXT EINGABE)	Externer Triggereingabeanschluss
21	INT TRIG SOURCE (TRIG QUELLE)	Wählt CH1, CH2 oder ALT
22	TRIG SOURCE (TRIG QUELLE)	Wählt Triggerquellen als INT, EXT oder LINE
23	SLOPE (ANSTIEG)	Wählt positiv-verlaufende oder negativ-verlaufende Richtung der Triggeringsignale.
24	STUFE	Einstellung der Triggersignalestufe
25	VARIABLE	Wird zur fortlaufenden Einstellung der Abtastrate verwendet; zur Erhaltung der Kalibrationsposition ganz im Uhrzeigersinn drehen.
26	TIME/DIV (ZEIT/DIV)	Einstellung der Abtastrate
27	TRIG MODE (TRIG MODUS)	NORM : Keine Aufzeichnung auf dem Bildschirm, wenn kein Eingangssignal vorhanden ist. Eine Aufzeichnung wird nur dann erzeugt, wenn ein entsprechendes Triggersignal vorhanden ist und unter Verwendung der Triggerstufe zur Erzielung einer stabilen Wellenform kontrolliert wird. AUTO : eine Einzelaufzeichnung wird auf dem Bildschirm gezeigt, auch wenn kein Eingangssignal vorhanden ist. Eine Aufzeichnung wird nur dann erzeugt, wenn ein entsprechendes Triggersignal vorhanden ist und unter Verwendung der Triggerstufe zur Erzielung einer stabilen Wellenform kontrolliert wird. TV : wird zum Display von TV-Signalen verwendet P-P AUTO : keine Aufzeichnung auf dem Bildschirm, wenn kein Eingabesignal besteht. Eine stabile Wellenform wird ohne Nachstellen der Triggerstufe erzielt, vorausgesetzt es geht ein Triggersignal ein.
28	TRIG'D (AUSGELÖST)	Leuchtet, wenn die Triggerbedingungen erreicht wurden
29	POSITION (HOR.) PULL X 10 (ZUG X 10)	Stellt die horizontale Aufzeichnung auf dem Bildschirm nach. Ziehen und die Abtastrate wird um zehnmals vergrößert.
30	Z INPUT (Z-EINGABE)	Eingangsanschluss für das externe Intensitätsmodulations-signal
31	POWER INPUT CONNECTOR & FUSE (STROMZUFUHRAN- SCHLUSS & SI- CHERUNG)	Stromzufuhranschluss (siehe Spezifikationen in Paragr. 2.0 bis 5.0 oder Rückplatte der Geräte für korrekte Spannung und Sicherung)

## 6.2 BEDIENUNGSANWEISUNG

Hinweis: nicht alle Kontrolleinrichtungen sind an allen Geräten vorhanden

### 6.2.1 PRÜFEN DER NETZEINGANGSSPANNUNG

Der Netzstromanschluss befindet sich hinten am Gerät. Vor dem Anschluss an die Netzversorgung sollte der Verwender des Geräts prüfen, dass dieses auf die korrekte Spannung für das jeweilige Verwendungsland eingestellt ist.

## 6.2.2 GRUNDBETRIEB

### (1) POSITION DER KONTROLLEINRICHTUNGEN UND SCHALTER

KONTROLLSCHALTER	POSITION
INTENSITÄT	Mitte
FOKUS	Mitte
CH1, CH2, X	Mitte
MODUS	CH1
VOLT/DIV	10mV
VARIABLE	Kalibrationsposition
TRIGGER-Modus	p-p AUTO
Abtaste SEK/DIV	0,5mS
ANSTIEG	+
TRIGGERQUELLE	INT
INT TRIGGERQUELLE	CH1
AUSGANGSKOPPLUNG	AC (WS)

### (2) VOREINGESTELLTE OPERATION

- a Strom ein
- b Strom-LED leuchtet
- c Das Gerät sollte sich ca. 5 Minuten lang erwärmen, bis auf dem Bildschirm eine Aufzeichnung erscheint, wonach dann Intensität, Fokus, Astig und Rotation nachgestellt werden, um eine klare, Parallelaufzeichnung zu liefern.  
Schließen Sie den 10:1-Sensor an den Eingabeanschluss von CH1 an.

## 6.2.3 OPERATION DES VERTIKALEN SYSTEMS

### (1) Wahl des Vertikalen Modus

Wenn nur ein Signal getestet werden soll, schalten Sie "MODE" auf "CH1" oder "CH2". Der gewählte Modus lässt das getestete Signal aus diesem Kanal hereinkommen.

Wenn 2 Signale gleichzeitig beobachtet werden sollen, dann schalten Sie "MODE" auf "ALT". Hierdurch werden die 2 getesteten Signale abwechselnd angezeigt. Die Häufigkeit des abwechselnden Displays der 2 Signale wird durch die Abtaste kontrolliert. Ist die Abtaste zu niedrig und die Aufzeichnung blinkt, den Schalter auf "CHOP" drehen, um eine normale Aufzeichnung zu erhalten.

Wenn der VERT MODE- Schalter auf "ADD" geschaltet ist, wird die algebraische Summe von CH1 & CH2 als Einzelaufzeichnung angezeigt. Der Anstieg der 2 Signale sollte beobachtet werden. CH2 liefert bei Normaleinstellung CH1+CH2, Pull CH2 INVERT liefert CH1-CH2.

### (2) Eingangskopplungswahl

"AC"(WS)-Kopplung – wird zur Beobachtung der WS-Komponente von Signalen, wie z.B. Logik- & Statiksignalen verwendet. "AC" (WS) muss auch für niedrige Frequenzen verwendet werden

"DC" (GS) wird zur Beobachtung der WS-Komponente der Signale verwendet.

"GND (ERDE)" wird zur Bestimmung einer Aufzeichnung beim Nullvollbezug verwendet.

## 6.2.4 WAHL DER TRIGGERQUELLE

### (1) Wahl der Triggerquellen

LINE (LEITUNG) – 60Hz-Signal ist die Triggerquelle

EXT – wird durch die externe Quelle, wie sie an den Eingabeanschluss angeschlossen ist, bestimmt

INT – wird durch den internen Triggerquellenschalter kontrolliert.

(2) Interne Triggerquellen

CH1 – Triggerquelle von Kanal 1

CH2 – Triggerquelle von Kanal 2

Vert Mode – Triggerquelle wird durch Vertikalsystemschanter kontrolliert.

Ist der Vert-Mode-Schanter auf CH1 eingestellt, dann kommt die Triggerquelle von Kanal 1; ist der Vert-Mode-Schanter auf CH2 eingestellt, dann kommt die Triggerquelle von Kanal 2. Ist der Vert-Mode auf "ALT" eingestellt, dann wechselt die Triggerquelle zwischen Kanal 1 & Kanal 2. Die Frequenz der 2 Signale muss ähnlich sein und die vertikale Eingangskopplung sollte auf "AC" (WS) eingestellt sein. Wenn der Triggermodus auf "AUTO" oder "NORM" und der Vert.-Mode-Schanter auf "CHOP" & "ADD" gestellt ist, dann sollte die Wahl der internen Triggerquelle auf "CH1" oder "CH2" gestellt sein.

## 6.2.5 OPERATION DES HORIZONTALEN SYSTEMS

(1) Abtasteinstellung

Es bestehen 20 Abtastereinstellungen von  $0,1\mu\text{S}/\text{DIV}$ ~ $0,2\text{S}/\text{DIV}$ . Die variable Kontrolle liefert eine 2,5-fache Mindestnachstellung. Wählen Sie entsprechend der Frequenz des getesteten Signals. Drehen Sie die variable Kontrolle ganz im Uhrzeigersinn in die Kalibrationsposition. Benutzen Sie die Angabe auf der Kontrolle und den Abstand zwischen der Wellenform und der horizontalen Achse zur Bestimmung des Zeitbezugs des getesteten Signals. Muss ein bestimmter Teil der Wellenform beobachtet werden, dann fügen Sie eine 10-fache horizontale Vergrößerung hinzu. Die Originalwellenform wird dann über der horizontalen Achse um das Zehnfache vergrößert.

(2) Wahl des Triggermodus

NORM – keine Aufzeichnung auf dem Bildschirm, wenn kein Eingangssignal vorhanden ist; ist ein Signal vorhanden, die Triggerstufe auf ihre korrekte Position einstellen. Diesen Modus verwenden, wenn die Frequenz unter 20Hz ist.

AUTO – auf dem Bildschirm ist eine Aufzeichnung, auch wenn kein Eingangssignal vorhanden ist; ist ein Signal vorhanden, die Triggerstufe auf ihre korrekte Position einstellen. Diesen Modus verwenden, wenn die Frequenz über 20Hz ist.

TV – Wird zur Bestimmung des TV-Signals verwendet. Das Signal ist von Natur aus negativ. Ist das getestete Signal positiv, das Signal an CH2 anschließen und CH2 INVERT ziehen; hierdurch wird das Signal vor der Messung auf negativ umgestellt.

P-P AUTO - Dasselbe wie AUTO, wobei jedoch die Triggerstufe nicht nachgestellt werden muss.

Wird normalerweise für Sinus-Welle, symmetrische Rechteckwelle oder eine ähnliche Impuls-welle verwendet. In einigen Fällen könnte ein Signal mit hoher Frequenz zur Einstellung der Triggerstufe notwendig sein. Die Triggeransprechempfindlichkeit ist etwas niedriger als bei NORM oder AUTO.

(3) SLOPE-(Anstiegs)-Wahl

Wird verwendet, um zu wählen, ob das Triggersignal die Triggerstufe in positiv-verlaufender oder negativ-verlaufender Richtung kreuzt.

(4) LEVEL-(Stufen)-Einstellung

Wird zur Nachstellung der Signaltriggerstufe verwendet, wobei nach Triggern "TRIG'D" aufleuchtet.

## 6.2.6 SENSOREN

(1) Sensorenoperation :

Um die Auswirkung des Sensors auf das getestete Signal auf einem Minimum zu halten, ist es ratsam, dass ein 10:1-Sensor mit einer Eingangsimpedanz von  $10\text{M}\Omega$  16 pF verwendet wird, während ein 1:1-Sensor normalerweise zur Beobachtung kleiner Signal verwendet wird und eine Eingangsimpedanz von  $1\text{M}\Omega$  70 pF hat. Daher während der Messung die Wirkung des Sensors auf den getesteten Stromkreis und die Genauigkeit der Messung in Erwägung gezogen werden.

Um eine hochgenaue Messung zu erzielen, sollte der Anschluss der Sensoren an den getesteten Stromkreis den kürzesten Abstand haben. Bei niedriger Frequenz und wenn eine genaue Messung nicht unbedingt möglich ist, dann kann der getestete Stromkreis praktischerweise direkt an den Erdanschluss an der Vorderseite angeschlossen werden.

(2) **SENSORNACHSTELLUNG**

Vor dem Gebrauch muss der 10:1-Sensor korrekt nachgestellt und ausgeglichen werden, siehe Paragr. 7.1.2

## **7.0 MESSUNGEN & EINSTELLUNGEN**

### **7.1 NACHSTELLEN VOR DEM MESSEN**

Zur Erzielung einer größeren Genauigkeit und zur Vermeidung von Fehlern sollten vor der Durchführung des Messens die folgenden Nachstellungen vorgenommen werden.

#### **7.1.1 ROTATION DER AUFZEICHNUNG**

Die horizontale Aufzeichnung auf dem Bildschirm sollte allgemein parallel zur horizontalen Linie verlaufen, aber aufgrund des magnetischen Felds der Erde und anderer Faktoren, die eine Verschiebung der horizontalen Aufzeichnung verursachen, ist es ratsam, dass vor dem Messen die folgenden Bedingungen überprüft werden:

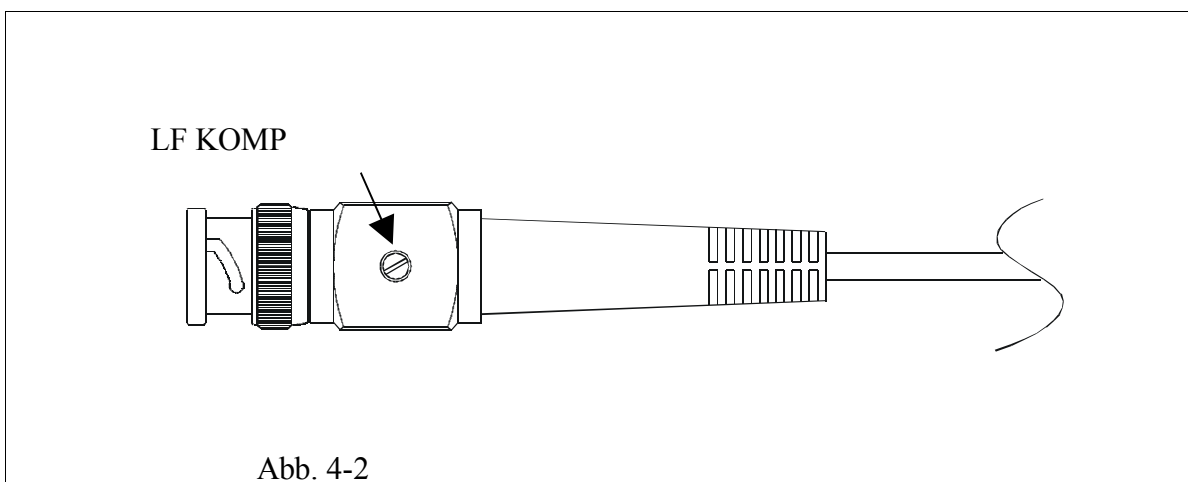
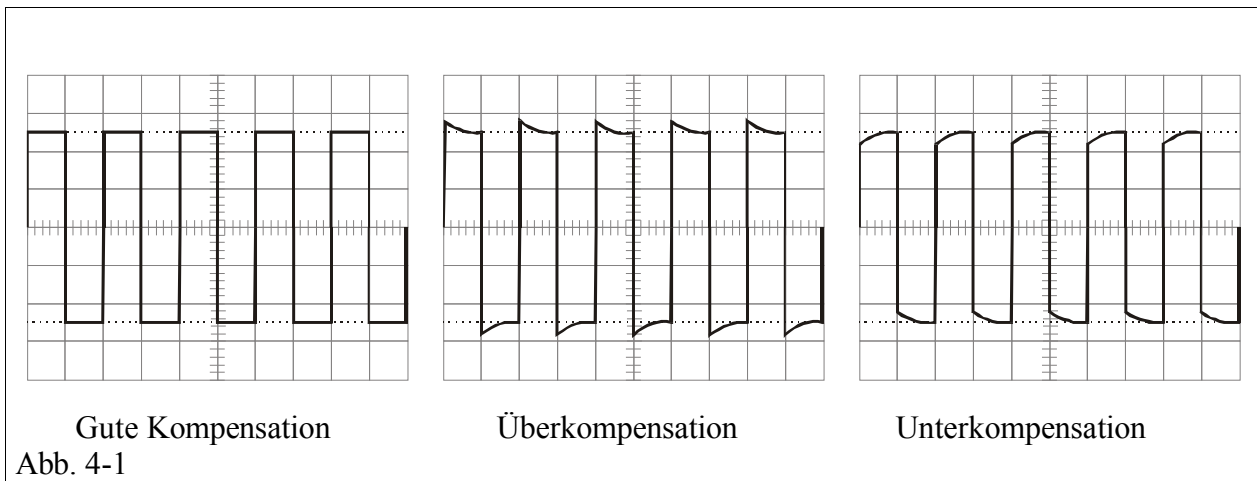
- (1) Die Kontrollschalter an der Vorderplatte nachstellen, um eine horizontale Aufzeichnung auf dem Bildschirm zu erzielen.
- (2) Die vertikale Position nachstellen, um die Aufzeichnung auf die Bildschirmmitte auszurichten.
- (3) Prüfen, dass die Aufzeichnung parallel ist und, wenn nicht, mit einem Schraubenzieher die "ROTATIONS"-Kontrolle bei den Modellen MO20, MO40 & MO60 auf der Vorderseite und bei Modell MO10 auf der Rückseite nachstellen.

#### **7.1.2 SENSORKOMPENSATION**

Das Nachstellen des Sensors ist zur Kompensation der unterschiedlichen Eingangsmerkmale von Oszilloskopen notwendig:

- (1) Schritt 6.2.2, Einstellen der Vorderseitenkontrollen, befolgen, um eine Abtastbezugslinie zu erhalten.
- (2) VOLTS/DIV auf den Bereich 10mV/DIV einstellen.
- (3) Den 10:1-Sensor an die CH1-Eingabe und "CAL" anschließen.
- (4) Die Anweisungen von Abschnitt 6 befolgen, um die Kontrollen zur Erhaltung einer Wellenform auf dem Bildschirm entsprechend Abbildung 4-1 einzustellen. zu erhalten.
- (5) Beobachten, ob die Wellenformkompensation gut ist, wenn nicht die LF-Kompensationskomponenten entsprechend Abbildung 4-2 nachstellen.
- (6) Vert Mode auf "CH2" einstellen und Schritte 2 bis 5 zum Nachstellen des CH2-Sensors befolgen.





## 7.2 MESSUNGEN

### 7.2.1 Messung der P-P-Spannung

#### SCHRITTE :

- (1) Signal zum CH1- oder CG2-Anschluss eingeben; Vert Mode auf den gewählten Kanal einstellen.
- (2) Den Spannungsdämpfer (VOLTS/DIV) einstellen und die Wellenform beobachten; die Wellenform auf dem Bildschirm innerhalb ca. 5 Unterteilungen anzeigen und VAR im Uhrzeigersinn bis zum Ende (Kalibrationsposition) drehen.
- (3) Die Stufe nachstellen, damit die Wellenform stabil wird (bei p-p AUTO ist keine Stufennachstellung notwendig).
- (4) Die Abtastkontrolle nachstellen, um zumindest einen Wellenformzyklus auf dem Bildschirm anzuzeigen.
- (5) Die vertikale Position nachstellen, damit der untere Teil der Wellenform auf dem Bildschirm auf der horizontalen Achse liegt. Abb. 4-3A.
- (6) Die horizontale Achse nachstellen, damit der obere Teil der Wellenform in der Mitte des Bildschirms auf der vertikalen Achse liegt. Abb.
- (7) Die Unterteilungen zwischen A-B vertikal ablesen.
- (8) Das Signal  $V_{p-p}$  mit Hilfe der folgenden Formel kalkulieren:

$$V_{p-p} = \text{DIV der vertikalen Richtung} \times \text{Ansprechempfindlichkeit}$$

Z.B. ist auf Abb. 4-3 die vertikale Unterteilung von A-B 4,1 DIV, die Ansprechempfindlichkeit

für den 10:1-Sensor ist 2V/DIV, daher  $V_{p-p}=2 \times 4.1=8.2(V)$

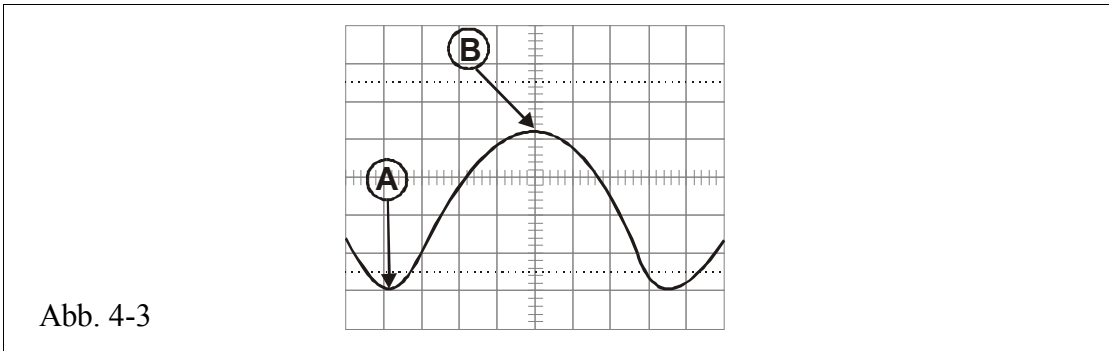


Abb. 4-3

## 7.2.2 MESSUNG DER GS-SPANNUNG

### SCHRITTE:

- (1) Die Kontrollen auf der Vorderseite einstellen, um auf dem Bildschirm eine Abtastbezugslinie anzuzeigen.
- (2) Die Eingangskopplungsoptionen als "GND" einstellen, siehe Abb. 4-4 vor dem Messen.
- (3) Die Vertikale Position nachstellen, die Abtastbezugslinie auf die horizontale Mitte fallen lassen und sie als Nullbezugsstufe definieren.
- (4) Das Signal in den gewählten Kanal eingeben.

Die Eingangskopplung auf "DC" (GS) stellen, VOLTS/DIV nachstellen und die Wellenform auf einer richtigen Position auf dem Bildschirm anzeigen, VAR im Uhrzeigersinn zum Ende durchdrehen (Kalibrationsposition).

- (5) Die Unterteilungen zwischen der Nullbezugsstufe zur Wellenform des getesteten Objekts ablesen; siehe Abb. 4-4 nach der Messung.
- (6) Die WS-Spannung kalkulieren:

$V = \text{Unterteilungen auf der vertikalen Achse} \times \text{Ansprechempfindlichkeit} \times \text{Richtung (+/-)}$   
 Auf Abbildung 4-4 ist die Nullbezugsstufe in der Mitte, den 10:1-Sensor verwenden, die Ansprechempfindlichkeit ist 2V/Div, die getestete Welle ist 3 Untert. über der Nullbezugsstufe.

$$\text{Daher } v = 2 \times 3 \times (+) = +6(V)$$

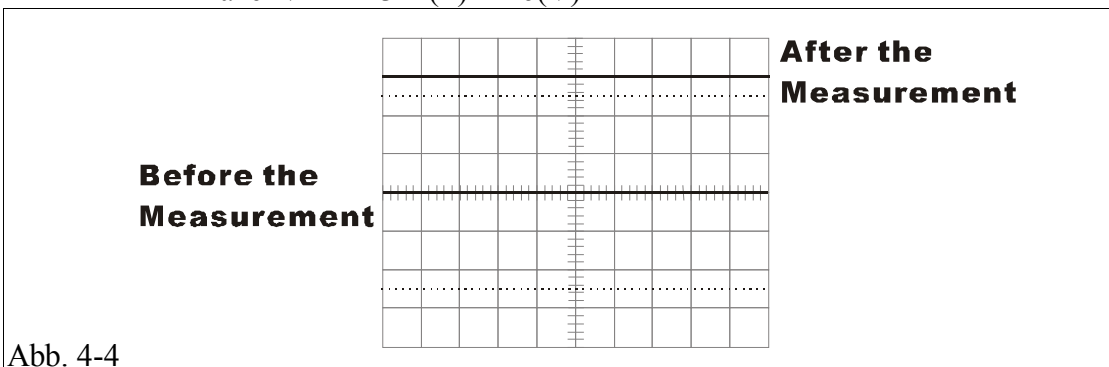


Abb. 4-4

(on figure: Vor der Messung

Nach der Messung)

## 7.2.3. Amplitudenvergleich

Es gibt Fälle, wo der Amplitudenunterschied von zwei Signalen gemessen werden muss.

### SCHRITTE :

- (1) Das Bezugssignal an den Eingangsanschluss von CH1 oder CH2 angeschlossen lassen. Vert Mode wie den gewählten Kanal einstellen.

- (2) VOLT/DIV und VAR nachstellen, um ein Display innerhalb von 5 Unterteilungen auf dem Bildschirm zu erhalten.
- (3) Die Position von VOLT/DIV und VAR beibehalten und den Sensor vom Bezugssignal auf das zu vergleichende Signal wechseln. Die Vert-Position nachstellen, den unteren Teil der Wellenform die 0%-Bezuglinie berühren lassen.
- (4) Die horizontale Position nachstellen, die Spitze der Wellenform die vertikale Linie wie abgebildet auf der Bildschirmmitte berühren lassen.
- (5) Auf der Basis von 0% und 100% als Standard den Prozentsatz von der vertikalen Achse ablesen. (1 DIV = 4%) d.h. auf Abb. 4.5 ist die gestrichelte Wellenform die Bezugswellenform und die Amplitude ist 5 Untert. Die andere Wellenform ist die Vergleichswellenform, der vert. Bereich ist 2 Untert., wodurch sich ergibt, dass die Amplitude des Signals ca. 40% des Bezugssignals ist.

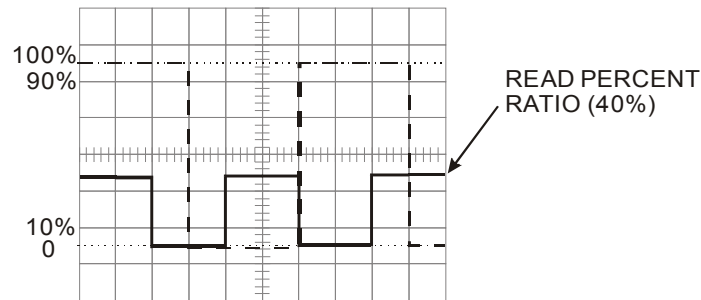


Abb. 4-5

**(PROZENTVERHÄLTNIS ABLESEN (40%))**

## 7.2.4 ADDITION

Die Addition oder der Unterschied zwischen 2 Signalen könnte wie folgt gemessen werden:

- (1) Je nach Frequenz der Signale Vert Mode auf "ALT" oder "CHOP" einstellen. CH2 INVERT nicht ziehen, was bedeutet, dass CH2 positiv ist.
- (2) Die 2 Signale an die CH1- und CH2-Eingangsanschlüsse anschließen.
- (3) VOLT/DIV nachstellen und die 2 Signale Wellenformen im richtigen Bereich anzeigen lassen. Die vertikale Position nachstellen, um die 2 Wellenformen in der Bildschirmmitte anzuzeigen.
- (4) Vert. Mode auf "ADD" stellen, die algebraische Addition der 2 Signale wird sofort angezeigt. Wenn der Unterschied bekannt sein muss, CH2 INVERT ziehen. Abb. 4-6 zeigt die Summe und den Unterschied der 2 Signale.

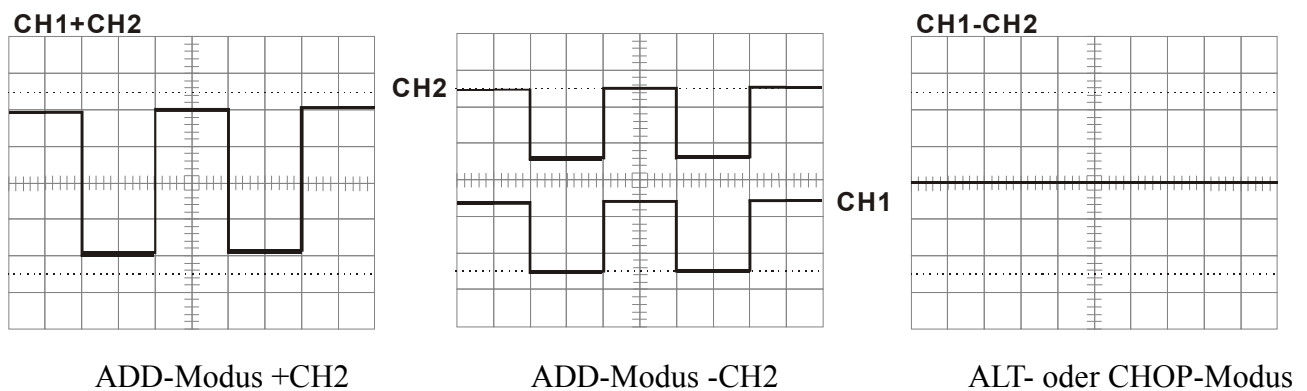


Abb. 4-6

## 7.3 ZEITMESSUNGEN

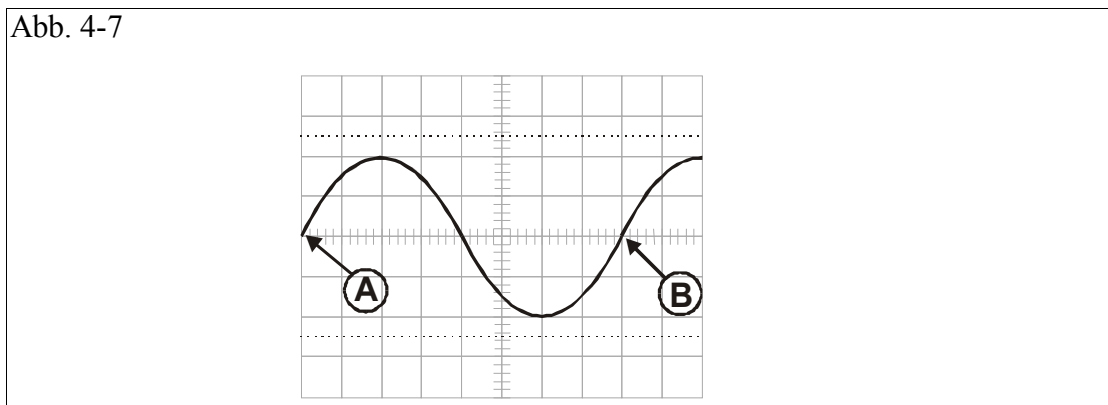
### 7.3.1 ZEITABSTANDSMESSUNGEN

Es handelt sich hier um das Verfahren für Zeitmessungen (Perioden) zwischen zwei Punkten auf einer Wellenform:

- (1) Das zu messende Signal an CH1 oder CH2 anschließen, Vert Mode auf den gewählten Kanal einstellen.
- (2) Die Stufe nachstellen, um eine stete Wellenform anzuzeigen (bei p-p AUTO ist keine Stufen-nachstellung notwendig)
- (3) VAR im Uhrzeigersinn bis zum Ende drehen (Kalibrationsposition) und die Abtastkontrollen nachstellen, um ein normales Display von 1-2 Signalzyklen zu erhalten.
- (4) Unter Verwendung der vertikalen und horizontalen Positionen die zwei zu messenden Punkte auf der Wellenform auf die gleiche horizontale Ebene bringen.
- (5) Den Abstand zwischen den beiden Punkten messen; die Messung wird durch die folgende Gleichung kalkuliert:

$$\text{ZEIT (S)} = \frac{\text{Abstand zwischen 2 Punkten (DIV)} \times \text{Abtastrate (Zeit/Untert.)}}{\text{Horizontaler Faktor}}$$

Auf Abb. 4-7 ist der Abstand zwischen A & B 8 Untert., die Ansprechempfindlichkeit ist 2  $\mu\text{S}/\text{Untert.}$ , der horizontale Faktor x 1, daher ist die Zeitmessung 16 $\mu\text{S}$



### 7.3.2 ZYKLUS- & FREQUENZMESSUNGEN

Siehe Abb. 4-7, Sie können die Zeitperiode eines Wellenformzyklus (T) messen und die Frequenz kalkulieren, die zur Zeitperiode reziprok ist. Z.B. wenn  $T=16\mu\text{S}$ , dann ist die Frequenz:

$$F = 1/T = \frac{1}{16 \times 10^{-6}} = 62.5 \text{ KHz}$$

### 7.3.3 IMPULSANSTEUERUNGSZEIT UND ABFALLSZEITMESSUNG

Zur Messung von Ansteuerungs- und Abfallszeit werden die 10% und 90% Amplitudenpunkte als Anfangs- und Endbezugspunkte genommen.

- (1) Vert. Mode auf CH1 oder CH2 einstellen und das Signal an den gewählten Eingangsanschluss anschließen.
- (2) Mit den Kontrollen VOLTS/DIV und VAR die Wellenform so nachstellen, dass die Spitze-zu-

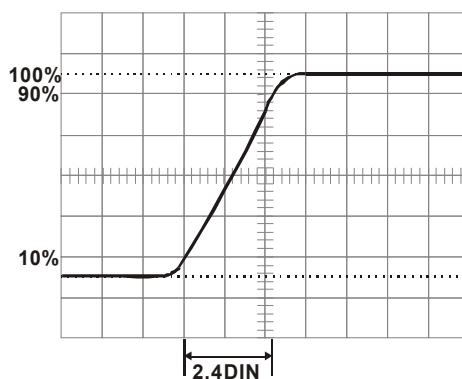
- Spitze-Höhe bis zu fünf Unterteilungen beträgt.
- (3) Die vertikale Position so nachstellen, dass die oberen Teile der Wellenform mit dem 100%-Punkt zusammenfallen, während die unteren Teile mit dem 0%-Punkt zusammenfallen.
  - (4) Den Abtastschalter nachstellen, um die positiv-verlaufende oder negativ-verlaufende Richtung der Wellenform auf dem Bildschirm zu erhalten.
  - (5) Mit der horizontalen POSITIONS-Kontrolle die 10%-Punkte so einstellen, dass sie mit der vertikalen Bezugslinie zusammenfallen.
  - (6) Den horizontalen Abstand in Unterteilungen zwischen den 10%- und 90%-Punkten auf der Wellenform (Unterteilungen) messen. Wenn sich die Ansteuerungs- und Abfallspunkte der Wellenform schnell bewegen, mit der zehnfachen horizontalen Vergrößerung die Wellenform auf dem Bildschirm in zehnfacher Vergrößerung anzeigen.
  - (7) Die Messung der Impulsansteuerungs- und -abfallszeiten wird durch die folgende Gleichung errechnet:

$$\text{Ansteuerungszeit} = \frac{\text{Horizontaler Abstand (Untert.)} \times \text{Ansprechempfindlichkeit (Zeit/Untert.)}}{\text{Horizontaler Faktor}}$$

So ist z.B. auf Abb. 4-8 der horizontale Abstand von 10% bis 90% 2,2 Unterteilungen, die Abtast ZEIT/UNTERT.-Einstellung ist  $1\mu\text{S}/\text{DIV}$ , der Faktor x 10. Die Ansteuerungszeit wird wie folgt kalkuliert:

$$\text{Ansteuerungszeit} = \frac{1\mu\text{S}/\text{DIV} \times 2.2\text{DIV}}{10} = 0.22\mu\text{S}$$

Abb. 4-8



### 7.3.4 MESSUNG DES ZEITUNTERSCHIEDS

SCHRITTE :

- (1) An den CH1- und CH2-Eingangsanschlüssen 2 Signale anlegen (eines als Bezug und das andere als das zu vergleichende Signal).
- (2) Vert Mode je nach Frequenz auf "CHOP" oder "ALT" einstellen. CHOP wird normalerweise für Signale mit niedriger und ALT für Signale mit hoher Frequenz gewählt.
- (3) Das Bezugssignal als Triggerquelle einstellen.
- (4) Die Kontrollen VOLT/DIV und VAR nachstellen, um einen ausreichenden Displaybereich zu erhalten.
- (5) Level (Stufe) nachstellen, um eine stabile Wellenform anzuzeigen.
- (6) SEC/DIV nachstellen; dies räumt einen gewissen horizontalen Abstand ein, damit die 2 zu testenden Punkte besser beobachtet werden können.

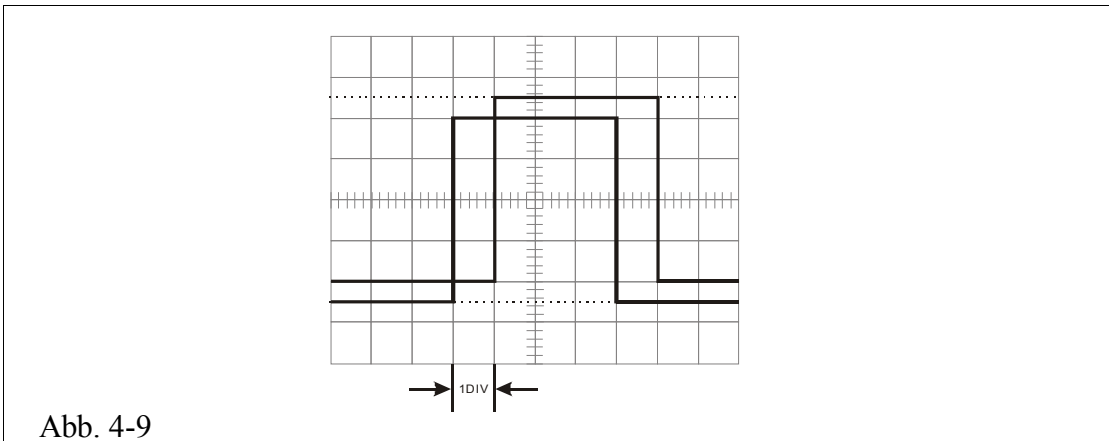
(7) Die vertikale Position nachstellen, damit die 2 Beobachtungspunkte der angezeigten Wellenformen auf der Bildschirmmitte angezeigt werden können.

Die Messung wird durch die folgende Gleichung zusammengefasst:

$$\text{Zeitunterschied} = \frac{\text{Horizontale Untert.} \times \text{ZEIT/UNTERT}}{\text{Horizontaler Faktor}}$$

So ist z.B. auf Abb. 4-9, der Faktor der Abstastansprechempfindlichkeit bei  $10\mu\text{S}/\text{DIV}$ , der horizontale Faktor  $\times 1$ , der horizontale Abstand zwischen den getesteten 2 Punkten ist 1 Untert., daher beträgt der Zeitunterschied :

$$\text{Zeitunterschied} = \frac{10\mu\text{S}/\text{DIV} \times 1 \text{ DIV}}{1} = 10\mu\text{S}$$



### 7.3.5 MESSUNG DES PHASENUNTERSCHIEDS

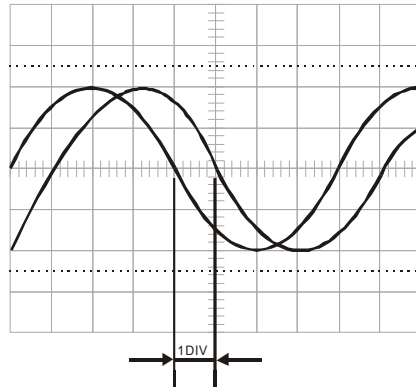
SCHRITTE :

- (1) Die Schritte (1) bis (4) unter Messung des Zeitunterschieds für anfänglichen Kontrolleinstellungen befolgen.
- (2) Den VOLT/DIV- und den VAR-Kontrollschalter nachstellen, damit die 2 Wellenformen den gleichen Bereich anzeigen.
- (3) Den Abtastratenschalter einstellen, damit ein Zyklus der Wellenform in 9 Unterteilungen angezeigt werden kann. Somit auf dem horizontalen Bildschirm  $1\text{DIV} = 40^\circ (360^\circ \div 9)$ .
- (4) Den horizontalen Abstand zwischen den 2 Wellenformen auf der selben Ebene messen.
- (5) Den Phasenunterschied mit Hilfe der folgenden Formel kalkulieren:

$$\text{Phasenunterschied} = \text{Hor. Abstand (Div)} \times 40^\circ/\text{DIV}$$

z.B. auf Abb. 4-10, ist der Abstand zwischen den 2 Wellenformen auf der selben Ebene 1 Untert. und der Phasenunterschied somit  $= 40^\circ/\text{DIV} \times 1 \text{ Div} = 40^\circ$

Abb. 4-9



## 7.4 Messung von TV-Signalen

SCHRITTE :

- (1) Vert Mode auf "CH1" oder "CH2" einstellen. Die TV-Signale an den gewählten Kanal anschließen
- (2) Die Triggermethode auf "TV" [10] stellen. Den Abtastschalter auf 2mS/Untert. stellen.
- (3) Den Bildschirm beobachten; es sollte ein negatives Impulssignal sein. Wenn es kein negatives Signal ist, das Signal auf den Kanal "CH2" umschalten. CH2 INVERT ziehen, hierdurch wechselt das Eingangssignal auf ein negatives Signal.
- (4) VOLTS/DIV und VAR nachstellen, um den korrekten Bereich zu erlangen.
- (5) Zehnfache horizontale Vergrößerung könnte bei Bedarf zur Beobachtung des Signals verwendet werden.

## 7.5 X-Y-Modusapplikationen

Es gibt einige Fälle, bei denen die X-Achse von externen Signalen kontrolliert werden muss, z.B. externe Anschlüsse von Abtastsignalen, Signale von Lissajous-Mustern oder Displayeinstellung von einem anderen Gerät. X-Y-Modus-Operation, CH1 POSITION (PULL CH1-X) ziehen. X-Signale durch CH1 oder X eingeben, wobei die Ansprechempfindlichkeit direkt vom VOLT/DIV-Schalter des Kanals CH1 abgelesen wird.

## 7.6 Z-Achsen-Applikation

Der Z-Achsenanschluss auf der Rückseite des Geräts ermöglicht die Nachstellung der Intensität unter Verwendung eines externen Signals. Die Merkmale sind positive Stufe für verbesserte Stabilität und negative Stufe für verstärkte Intensität der Wellenform. Bei Verwendung mit dem X-Y-Modus kann die aufrechte Kontrolle von 3 Richtungen, X, Y, Z für das Display der Symbole oder Zeichen verwendet werden.

<b>Der Hersteller/Importeur</b> <b>The manufacturer/importer</b> <b>Le producteur/importateur</b>	Vann Draper Electronics Ltd
<b>Anschrift/Address/Adresse</b>	Stenson House Stenson Derby DE73 1HL ENGLAND
<b>Erklärt hiermit eigenverantwortlich, dass das Produkt :</b> <b>Hereby declares that the product :</b> <b>Declare, que le produit :</b>	
<b>Bezeichnung/Name/Description</b>	Zweikanal-Oszilloskop Analogue oscilloscope Analogique oscilloscope
<b>Typ/Model/Type</b>	MO10, MO20, MO40, MO60
<b>Bestell-Nr/Order No/No de ref</b>	HUC70-01, 70-02, 70-03, 70-04
<b>Folgenden Normen entspricht :</b> <b>is in accordance with the following specifications :</b> <b>correspond aux normes suivantes :</b>	EN61010-1 (1994) CAT II, Pollution degree II, >600V DIN EN 50081-1 (1993) DIN EN 50081-2 (1994) EN50082 EN 55011 (1991) Class B EN 55022 (1987) Class B IEC 801-2 (1991)/prEN 55024-2 (1992) 2kV IEC 801-4 (1988)/prEN 55024-4 (1993) 1kV Burst IEC 801-3 (1984) 3V/m ; 0,15-150MHz
<b>Das Produkt erfüllt somit die Forderungen folgender EG-Richtlinien :</b> <b>Therefore the product fulfills the demands of the following EC-Directives :</b> <b>Le produit satisfait ainsi aux conditions des directives suivantes de la CE :</b>	EN61000-3-2 EN61000-3-3
<b>73/23/EWG</b>	Richtlinie betreffend elektrische Betriebsmittel zur Verwendung innerhalb bestimmter Spannungsgrenzen Directive relating to electrical equipment designed for use within certain voltage limits Directive relatives au materiel electrique destine a etre employe dans certaines limites de tension
<b>89/336/EWG</b>	Richtlinie über die elektromagnetische Verträglichkeit Directive relating to electromagnetic compatibility Directive relatives a la compatibilite electromagnetique
<b>Derby, 5.9.2002</b>	<i>A Smith</i> A.P. Smith Leiter Qualitätsmanagement Quality Manager/Directeur Controle de Qualite