

19" Adapters MA 19-1 and MA 19-2

digimess® compact, digimess® expert

Order No.: H.UC 00-10 (19" adapter single MA 19-1)

Order No.: H.UC 00-20 (19" adapter dual MA 19-2)



19" systems are well established particularly in the areas of research and industry, at universities and polytechnics, but increasingly in general training applications as well. The MA 19 series of 19" adapters belong to the Grundig **digimess®** range of measuring instruments and can be easily integrated into existing test and measuring systems. The **digimess®** compact series reveals a further feature, enabling you to design your own individual test and measuring workplace. The MA 19 system avoids the pitfalls of previous modular systems, since each measuring instrument in the **digimess®** series has its own power supply. The compact series can therefore be operated again as separate units whenever measuring requirements change. The 19" adapters are available in two versions. The **MA 19-1** can accommodate one unit from the "expert" range while the **MA 19-2** can accommodate two units from the "compact" series.

Common features of the 19" adapters:

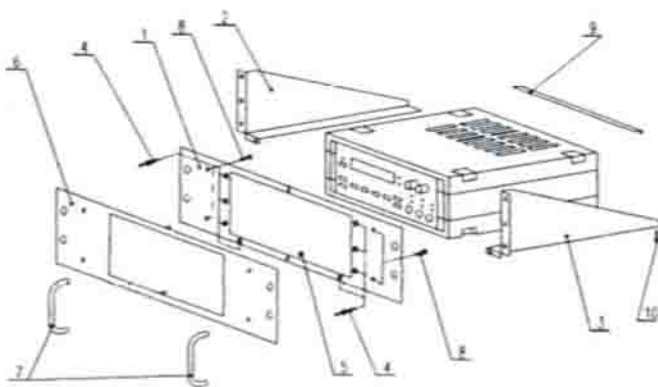
- Integrate Grundig **digimess®** instruments in existing 19" systems.
- Installation height of 3 HU.
- Supplied in assembled condition.
- Easy installation by the final customer.
- Colour-matched to the other Grundig **digimess®** system components.

Special feature of the MA 19-2:

- Modular system to cater for units from the compact series.

Technical Data MA 19-1

Scope of supply	19" frame including all retaining elements for fitting one digimess® expert unit, two front handles.
Supply condition	complete, pre-assembled
Colour of front plate	industrial grey RAL 7035
Colour of front handles	royal blue RAL 5010
Retaining elements	fine metal passivated
Dimensions (in mm)	483 x 133.35 x 275 (W x H x D) without front handles and power supply cable
Installation depth	approx. 330 mm incl. power supply cable
Weight	approx. 1.25 kg

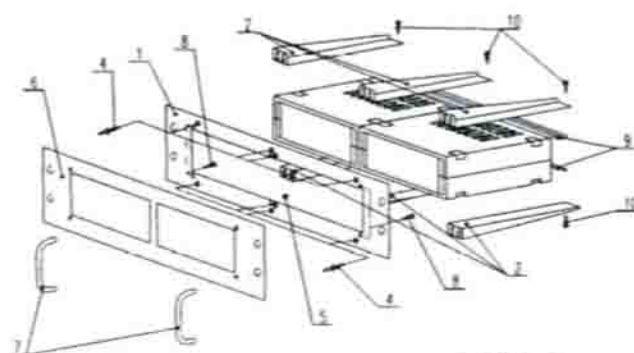


MA 19-1

1 SUB-PANEL	1
2 SIDE SUPPORT	1
3 SIDE SUPPORT	1
4 PIN 4 x 8	8
5 NUT M 3	2
6 FRONT PANEL	1
7 HANDLE	2
8 SCREW DIN 7985 M 4 x 16	4
9 PROTECTIVE METAL STRIP	1
10 SCREW DIN 7985 M 3 x 12	2

Technical Data MA 19-2

Scope of supply	19" frame including all retaining elements for fitting two digimess® compact units, two front handles.
Supply condition	complete, pre-assembled
Colour of front plate	industrial grey RAL 7035
Colour of front handles	royal blue RAL 5010
Retaining elements	fine metal passivated
Dimensions (in mm)	483 x 133.35 x 275 (W x H x D) without front handles and power supply cable
Installation depth	approx. 270 mm incl. power supply cable
Weight	approx. 1.5 kg



MA 19-2

1 SUB PANEL	1
2 SUPPORT PLATE	6
4 PIN 4 x 8	8
5 NUT M 3	2
6 FRONT PANEL	1
7 HANDLE	2
8 SCREW DIN 7985 M 4 x 16	4
9 PROTECTIVE METAL STRIP	2
10 SCREW DIN 7985 M 3 x 12	6